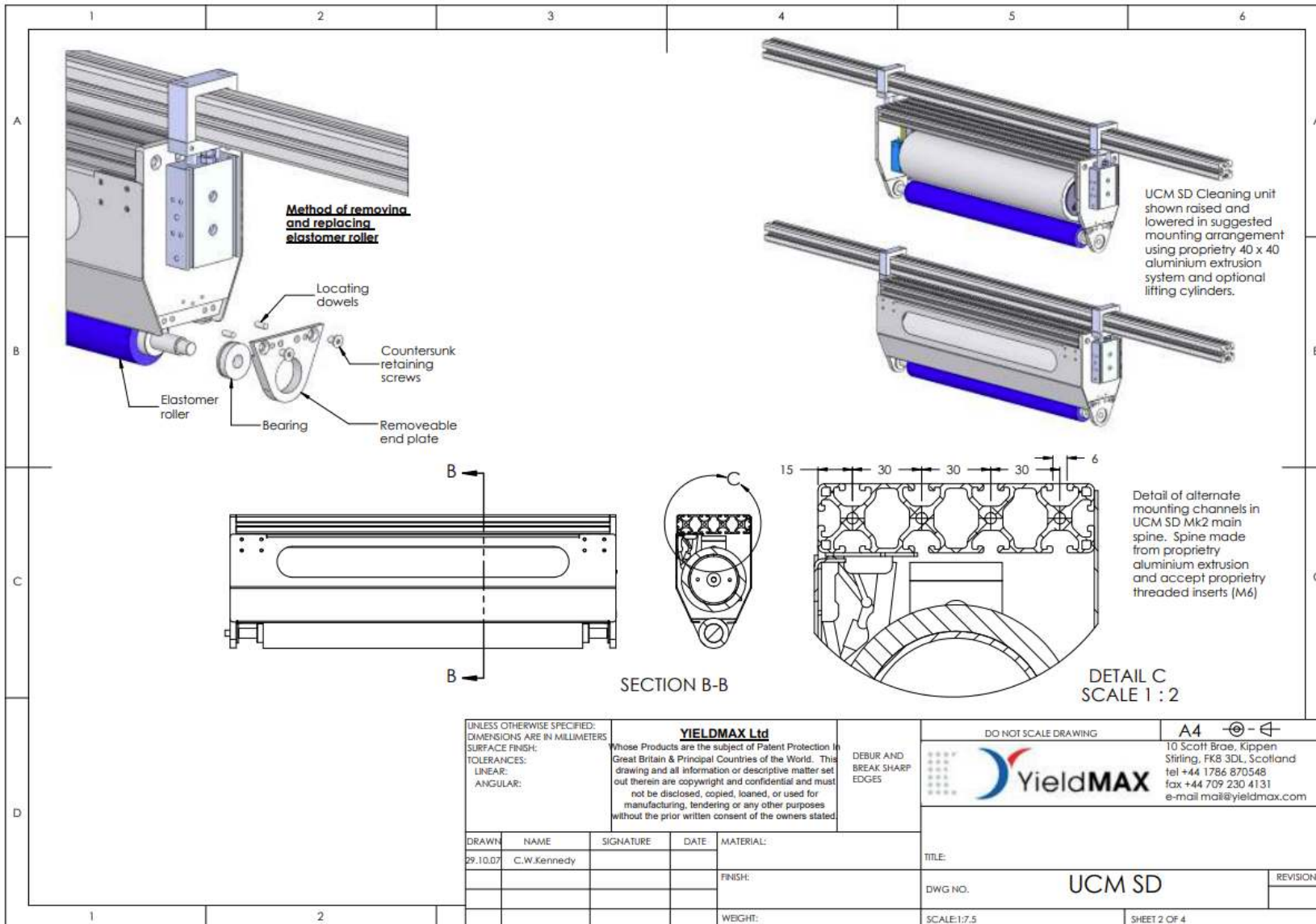


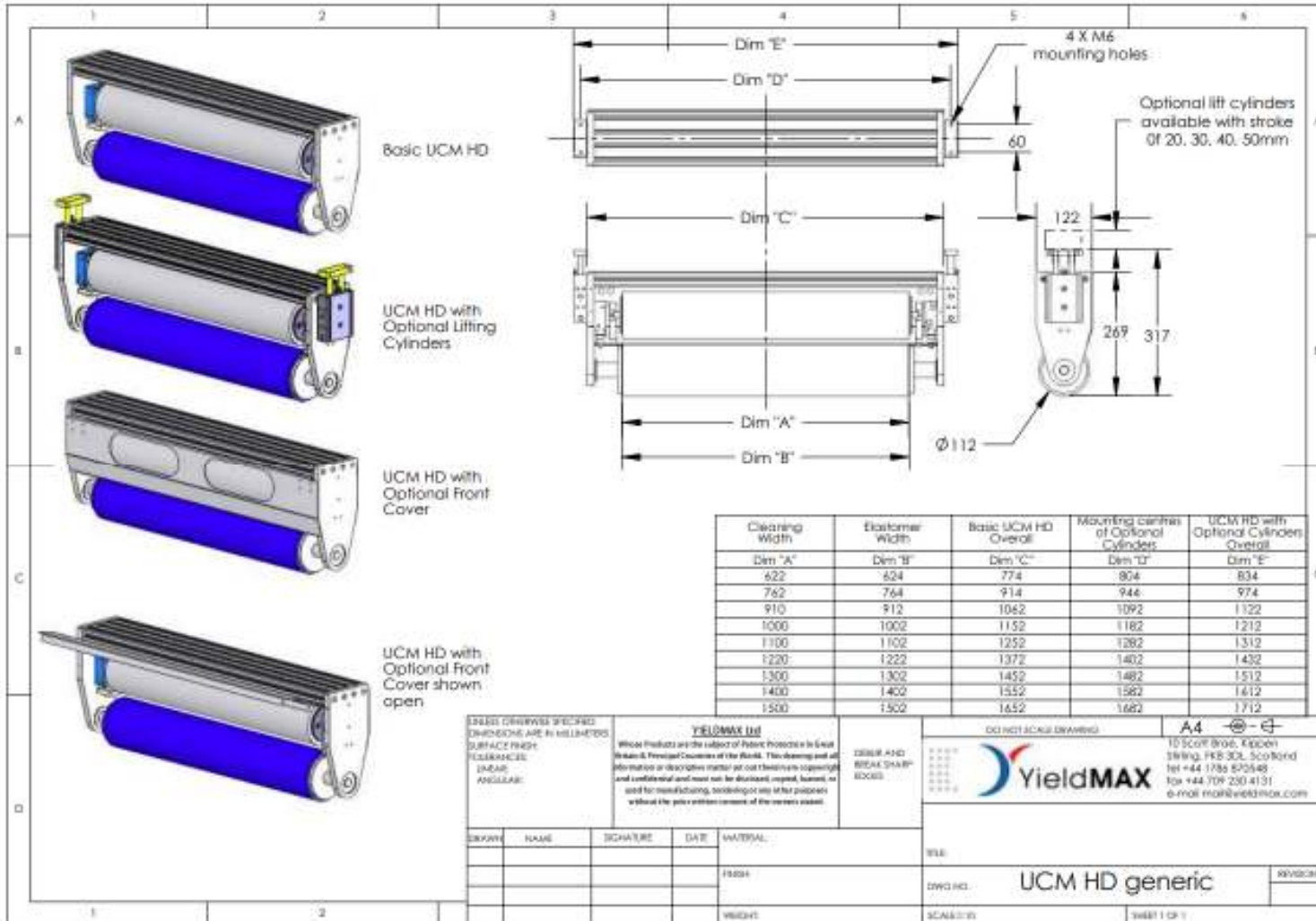
The UCM is a simple, cost effective, yet versatile cleaning head that can be applied in many diverse locations and orientations

Used solo, it provides single sided surface particulate contamination removal and capture of rollers and webs.

The UCM can be doubled up to provide double sided cleaning of webs.

Many different mounting methods possible





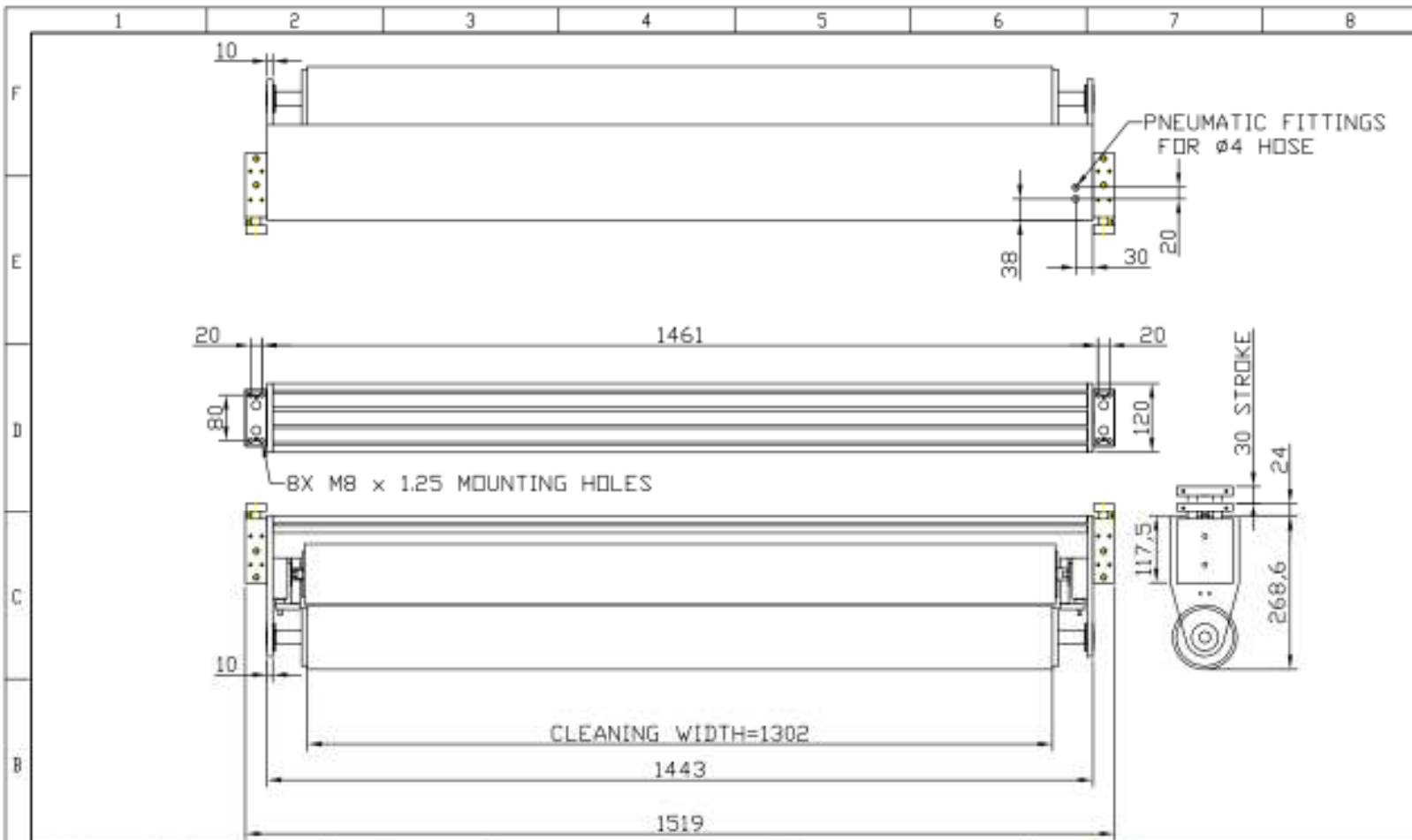
The UCM HD is the heavy duty cleaning head for wider and higher speed applications.

The UCM HD is a simple, cost effective, yet versatile cleaning head that can be applied in many diverse locations and orientations

Used solo, it provides single sided surface particulate contamination removal and capture of rollers and webs.

The UCM HD can be doubled up to provide double sided cleaning of webs.

Many different mounting methods possible



An example of an UCM HD Cleaning Head, 1300mm cleaning width


The UCM HD is the heavy duty cleaning head for wider and higher speed applications.

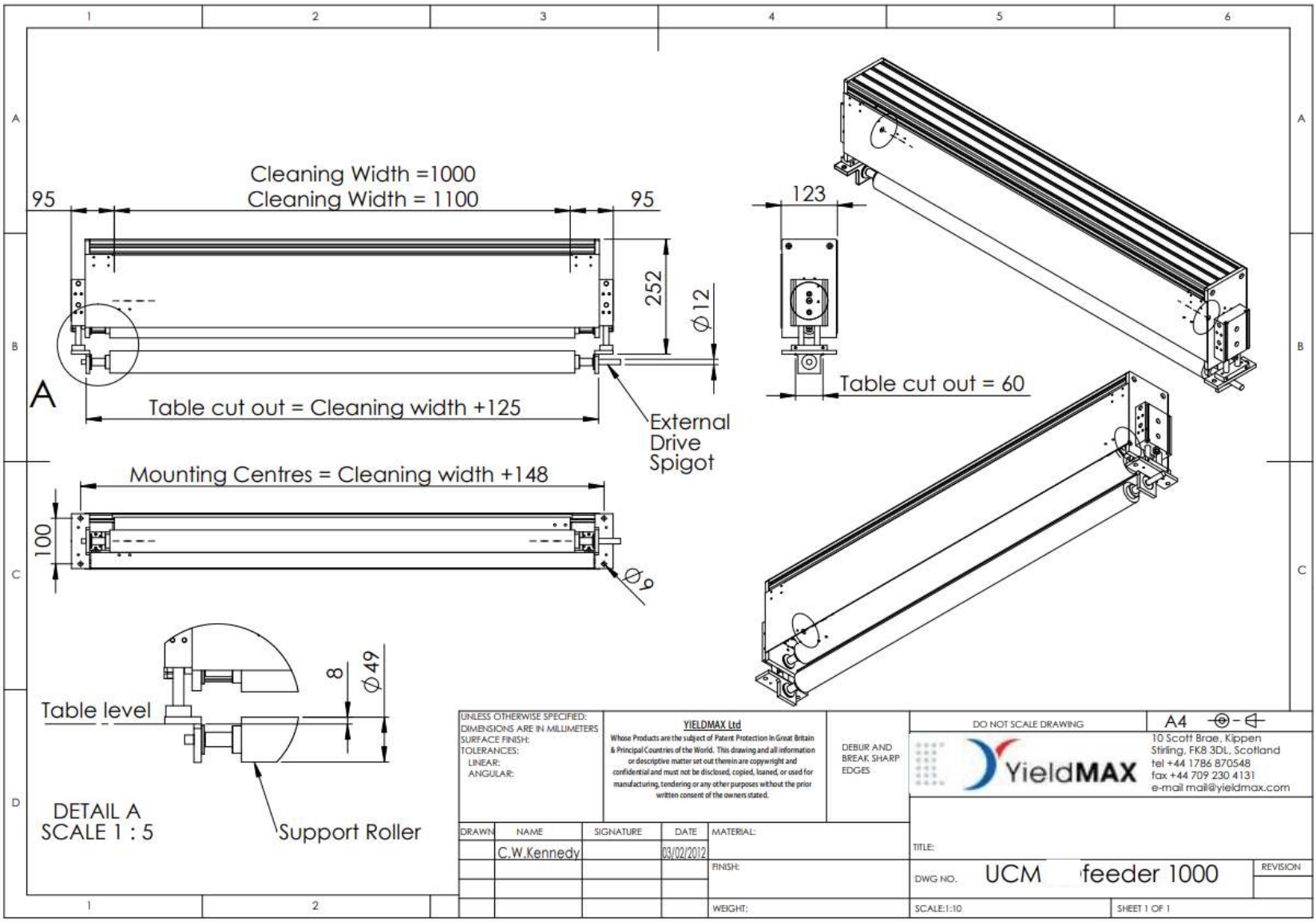
The UCM HD is a simple, cost effective, yet versatile cleaning head that can be applied in many diverse locations and orientations

Used solo, it provides single sided surface particulate contamination removal and capture of rollers and webs.

The UCM HD can be doubled up to provide double sided cleaning of webs.

Many different mounting methods possible

		Yieldmax Ltd.		This drawing and all information or descriptive matter set out therein are the property of Yieldmax Ltd and are copyright and confidential and must not be disclosed, copied, loaned, or used for manufacturing, tendering or any other purposes without the prior written consent of the owners stated.		 30 Scott Bree, Kippure, Droming Park, 25L, Tel: +44 (0)1746 810548 Fax: +44 (0)1746 230 4031 e-mail: yieldmax@bt.com	
DIMENSIONAL TOLERANCES UNLESS OTHERWISE STATED DIMENSION X ± 0.5mm XX ± 0.25mm XXX ± 0.15mm		ANGLES X ± 0.0° XX ± 0.1° XXX ± 0.05°					
REV	DATE	ECN No.	ENG	APP BY:	DATE:	FINISH: n/o	PRODUCT FAMILY: "
				SCALE: NTS	SHEET 1 OF 1	DRG SIZE:	PART No., Rev. A



The UCM HD Feeder is a narrow profile cleaning head for mounting onto feeders and conveyors.

It provides single sided cleaning

It incorporates a roller to support the workpiece during the surface contaminant removal process

UNLESS OTHERWISE SPECIFIED:
 DIMENSIONS ARE IN MILLIMETERS
 SURFACE FINISH:
 TOLERANCES:
 LINEAR:
 ANGULAR:

YIELDMAX Ltd
 Whose Products are the subject of Patent Protection in Great Britain & Principal Countries of the World. This drawing and all information or descriptive matter set out therein are copyright and confidential and must not be disclosed, copied, loaned, or used for manufacturing, tendering or any other purposes without the prior written consent of the owners stated.

DEBUR AND BREAK SHARP EDGES

DO NOT SCALE DRAWING

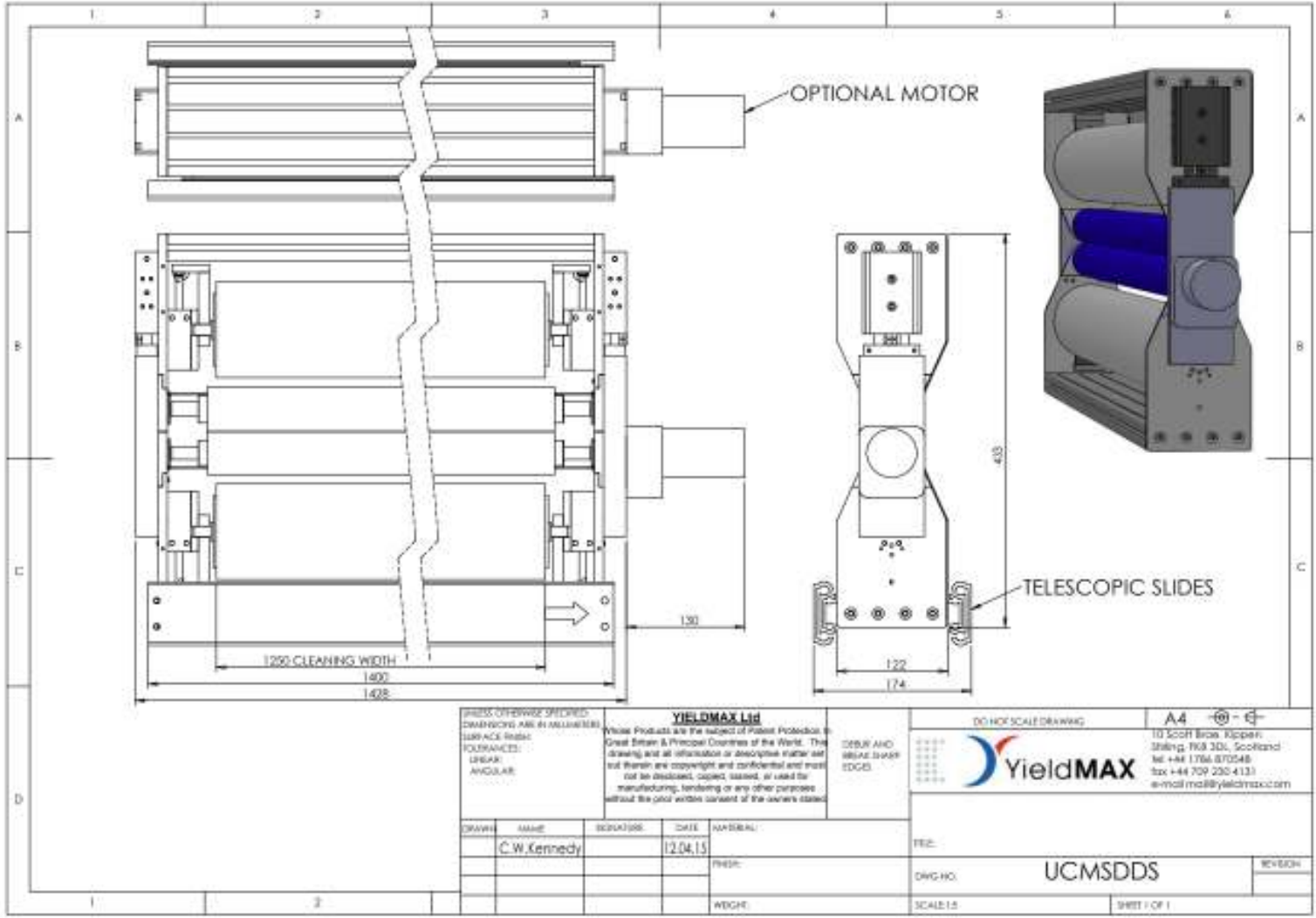
A4

YieldMAX

10 Scott Brae, Kippen Striving, FK8 3DL, Scotland
 tel +44 1786 870548
 fax +44 709 230 4131
 e-mail mail@yieldmax.com

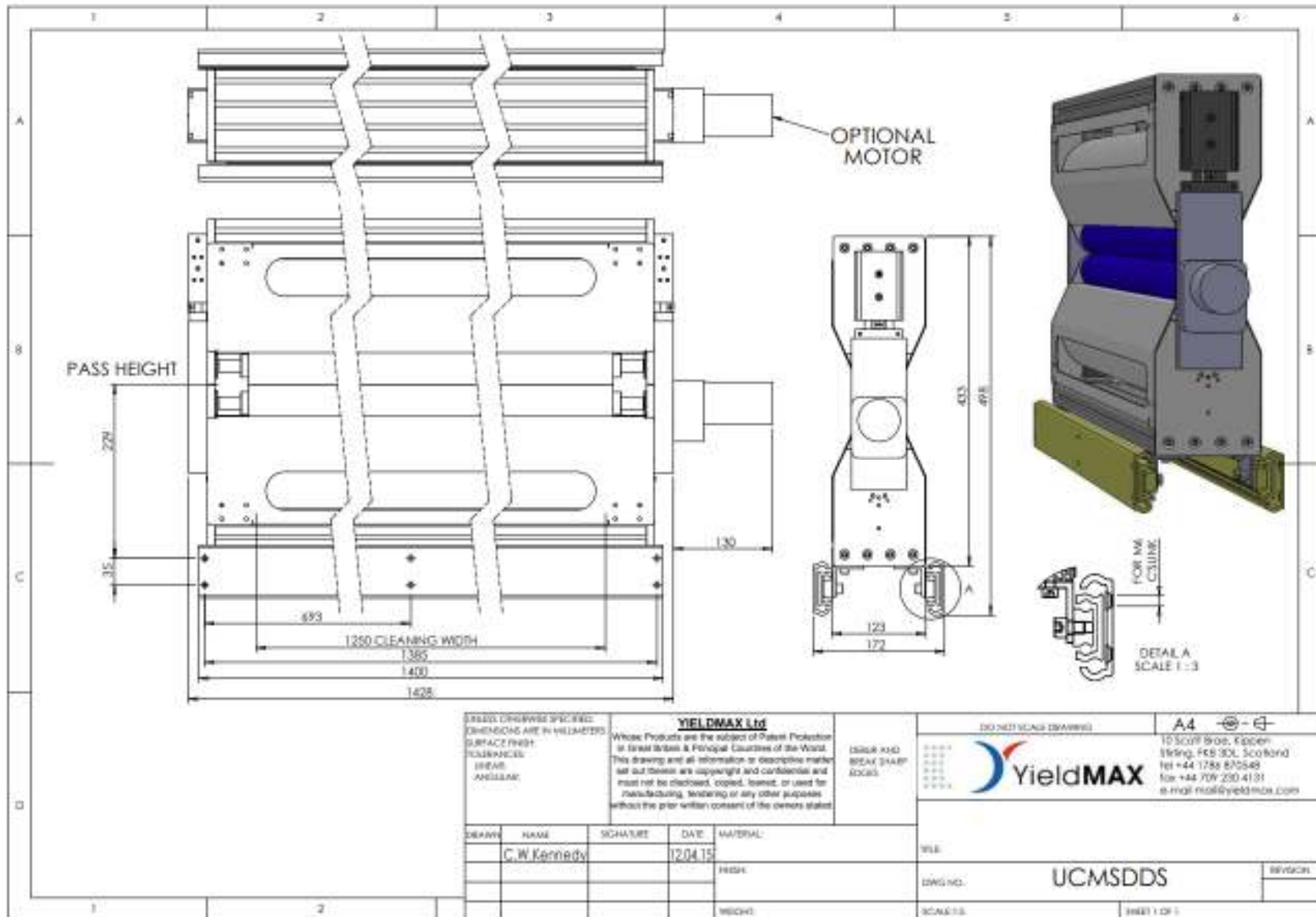
DRAWN	NAME	SIGNATURE	DATE	MATERIAL:
	C.W.Kennedy		03/02/2012	
				FINISH:
				WEIGHT:

TITLE:		REVISION
DWG NO.	UCM feeder 1000	
SCALE:1:10		SHEET 1 OF 1



The UCM SDDS is essentially two UCM Cleaning heads joint together and motorised to provide a very cost effective, narrow profile, in-line cleaning solution

Telescopic slides can be incorporated to allow the cleaning machine to be drawn out of line for service and maintenance



UNLESS OTHERWISE SPECIFIED:
 DIMENSIONS ARE IN MILLIMETERS
 SURFACE FINISH:
 TOLERANCES:
 H/RAE:
 ANGULAR:

YIELDMAX Ltd
 Whose Products are the subject of Patent Protection
 in Great Britain & Foreign Countries of the World.
 This drawing and all information or descriptive matter
 set out therein are copyright and confidential and
 must not be disclosed, copied, loaned, or used for
 manufacturing, teaching or any other purposes
 without the prior written consent of the owners stated.

ISSUE AND
 REVISIONS
 0001

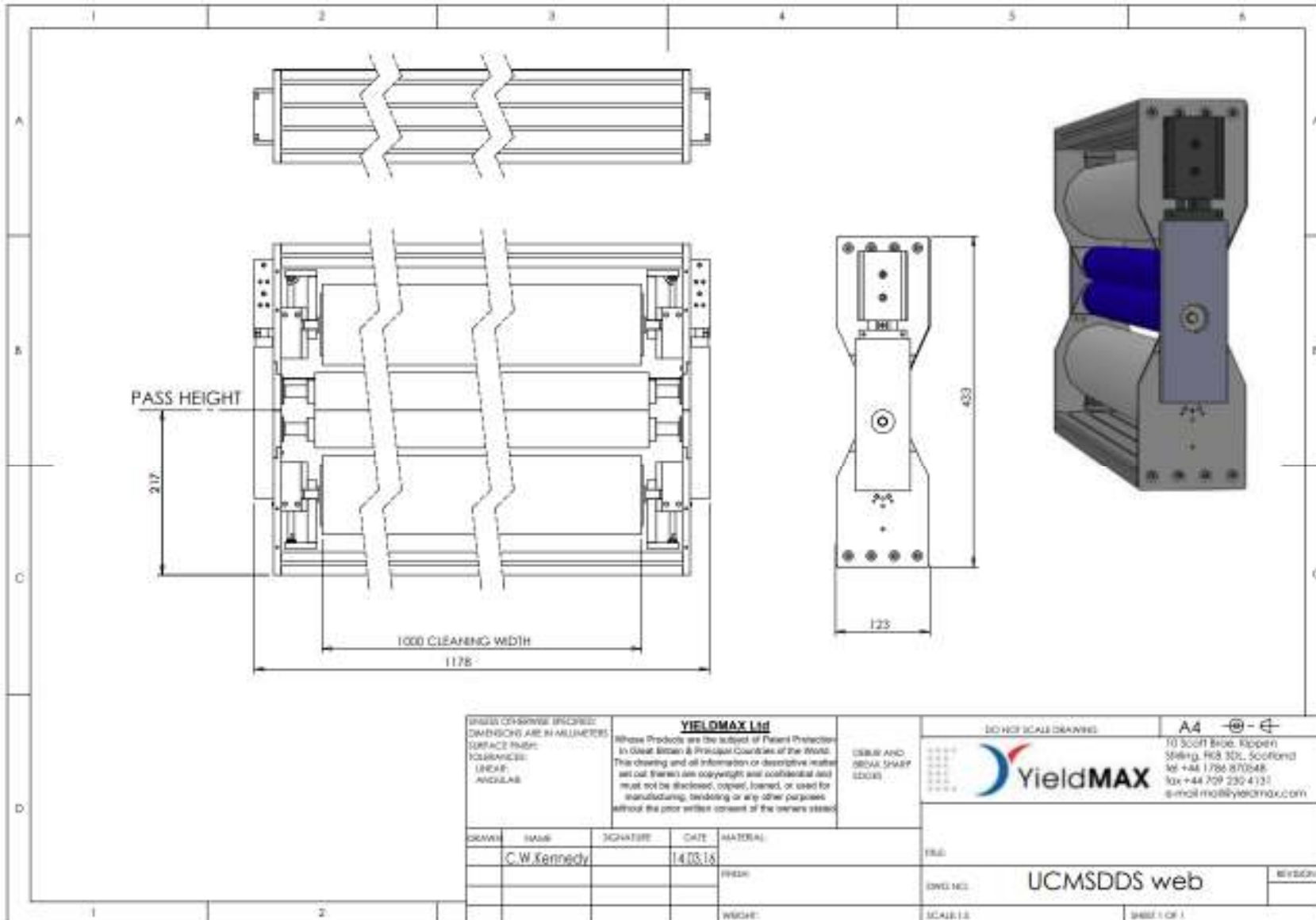
DO NOT SCALE DRAWING

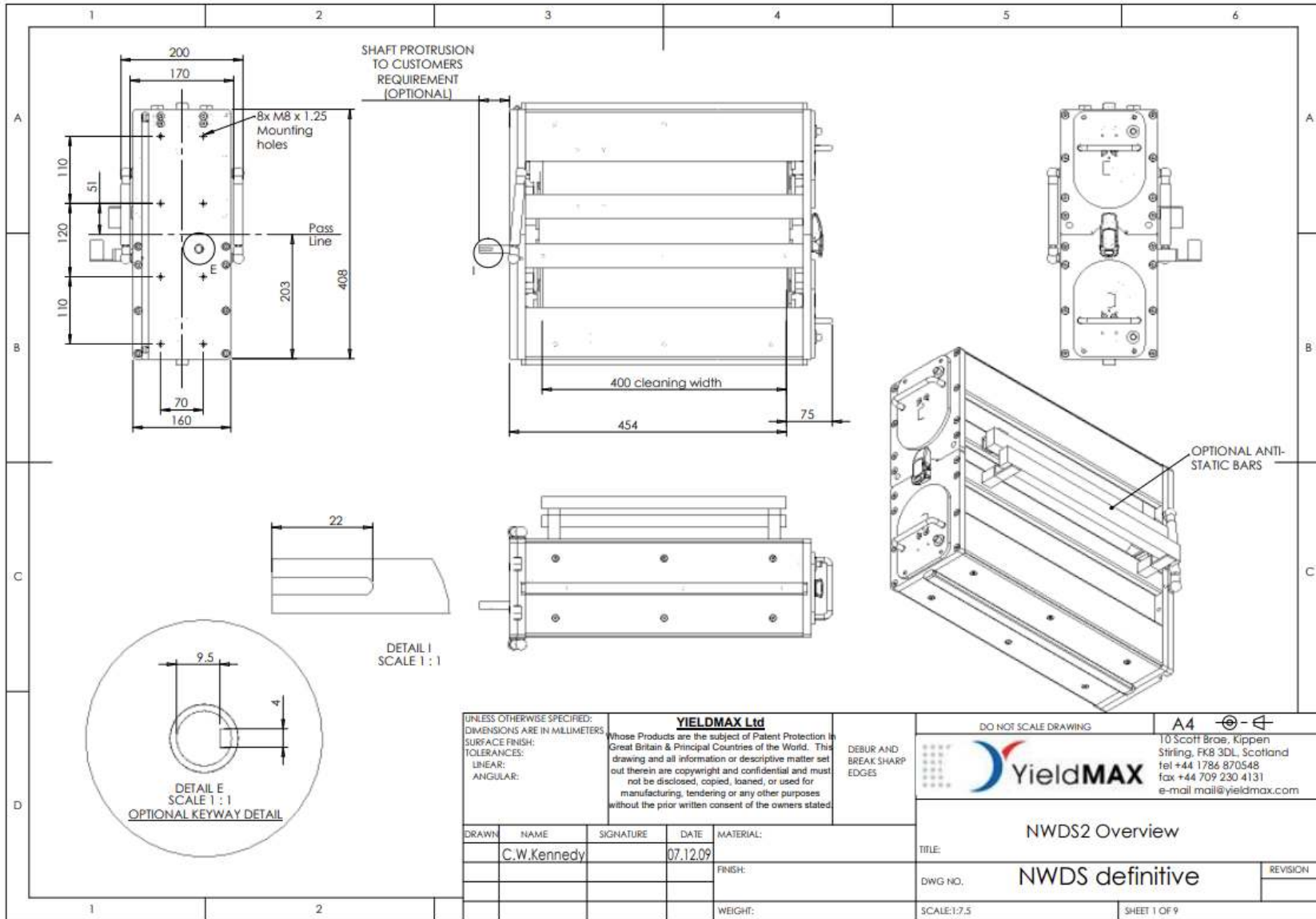


A4
 10 Scott Bros. Ebbw
 Valley, Pk8 3DL, Scotland
 Tel +44 1782 870548
 Fax +44 179 230 4131
 e.mgl@mail@yieldmax.com

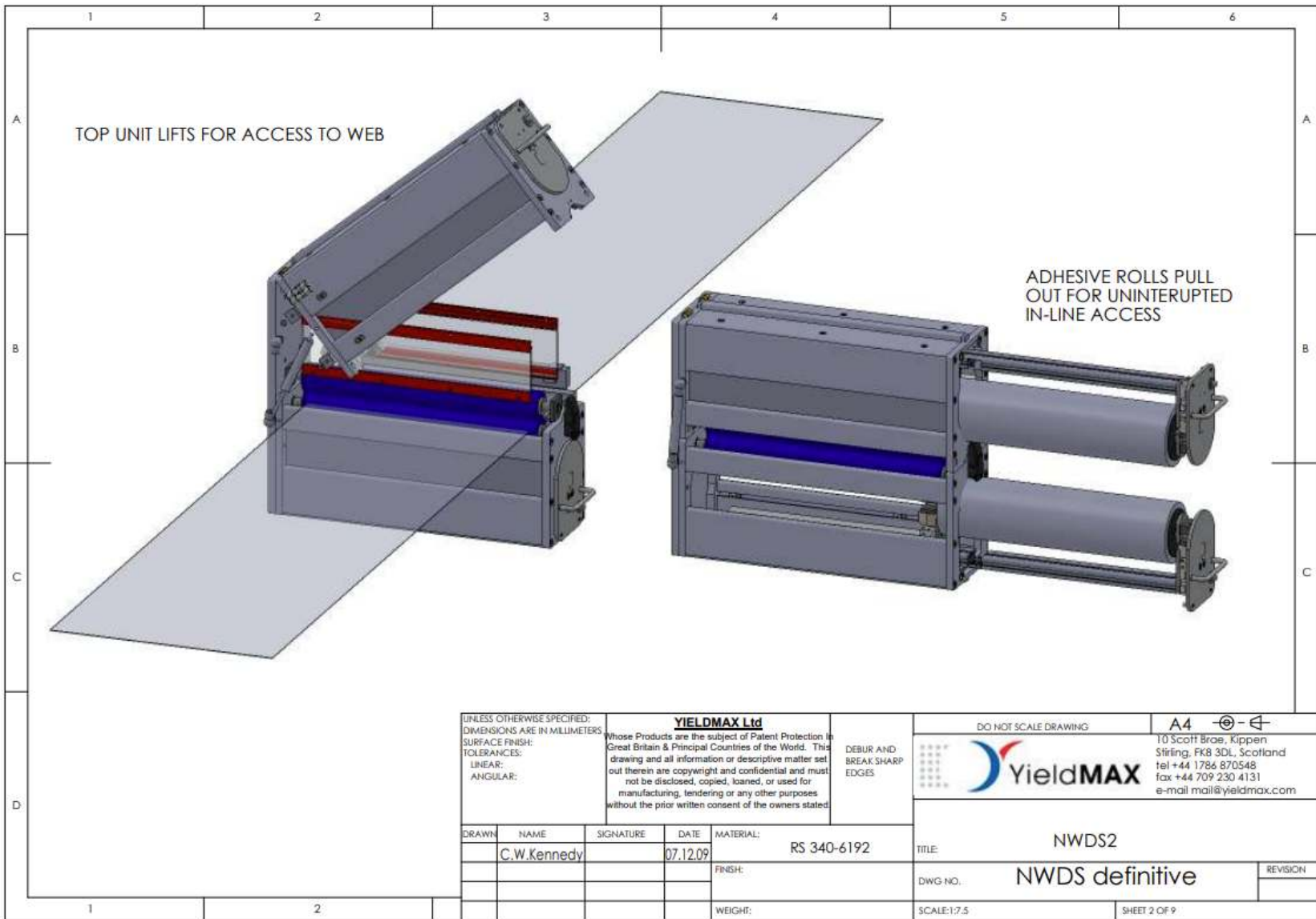
DRAWN	NAME	SIGNATURE	DATE	MATERIAL
	C.W.Kennedy		12.04.15	
				FINISH
				WEIGHT

TITLE	UCMSDDS		REVISED
DWG. NO.			
SCALE 1:1	PAGE 1 OF 1		





The NWDS is a narrow web cleaner (up to 620mm web width) that provides cleaning on both sides of the web. It is intended to be face mounted onto a web process machine and has pull out Contamination Entrapment Rolls for uninterrupted servicing. It also opens for access to the web.



UNLESS OTHERWISE SPECIFIED:
 DIMENSIONS ARE IN MILLIMETERS
 SURFACE FINISH:
 TOLERANCES:
 LINEAR:
 ANGULAR:

YIELDMAX Ltd
 Whose Products are the subject of Patent Protection in Great Britain & Principal Countries of the World. This drawing and all information or descriptive matter set out therein are copyright and confidential and must not be disclosed, copied, loaned, or used for manufacturing, tendering or any other purposes without the prior written consent of the owners stated.

DEBUR AND
 BREAK SHARP
 EDGES

DO NOT SCALE DRAWING

A4

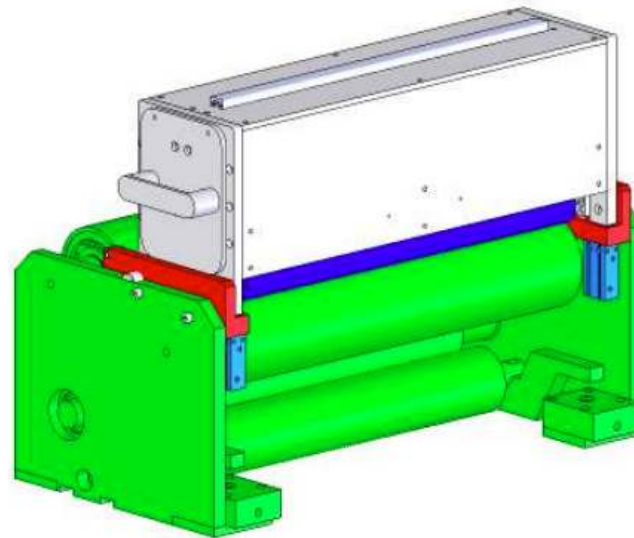
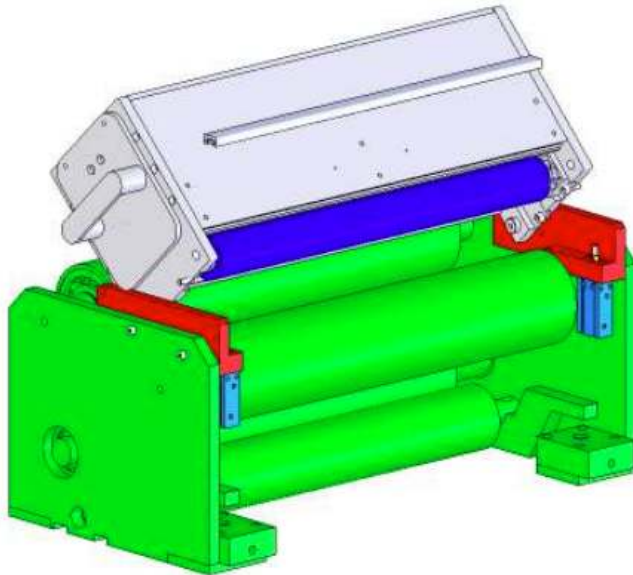
YieldMAX

10 Scott Brae, Kippen
 Stirling, FK8 3DL, Scotland
 tel +44 1786 870548
 fax +44 709 230 4131
 e-mail mail@yieldmax.com

DRAWN	NAME	SIGNATURE	DATE	MATERIAL:
	C.W.Kennedy		07.12.09	RS 340-6192
				FINISH:
				WEIGHT:

TITLE: NWDS2	
DWG. NO. NWDS definitive	REVISION
SCALE:1:7.5	SHEET 2 OF 9

EXAMPLE OF TYPICAL
SINGLE SIDED CLAM
SHELL INSTALLATION



UNLESS OTHERWISE SPECIFIED:
DIMENSIONS ARE IN MILLIMETERS
SURFACE FINISH:
TOLERANCES:
LINEAR:
ANGULAR:

YIELDMAX Ltd
Whose Products are the subject of Patent Protection in
Great Britain & Principal Countries of the World. This
drawing and all information or descriptive matter set
out therein are copyright and confidential and must
not be disclosed, copied, loaned, or used for
manufacturing, tendering or any other purposes
without the prior written consent of the owners stated.

DEBUR AND
BREAK SHARP
EDGES

DO NOT SCALE DRAWING

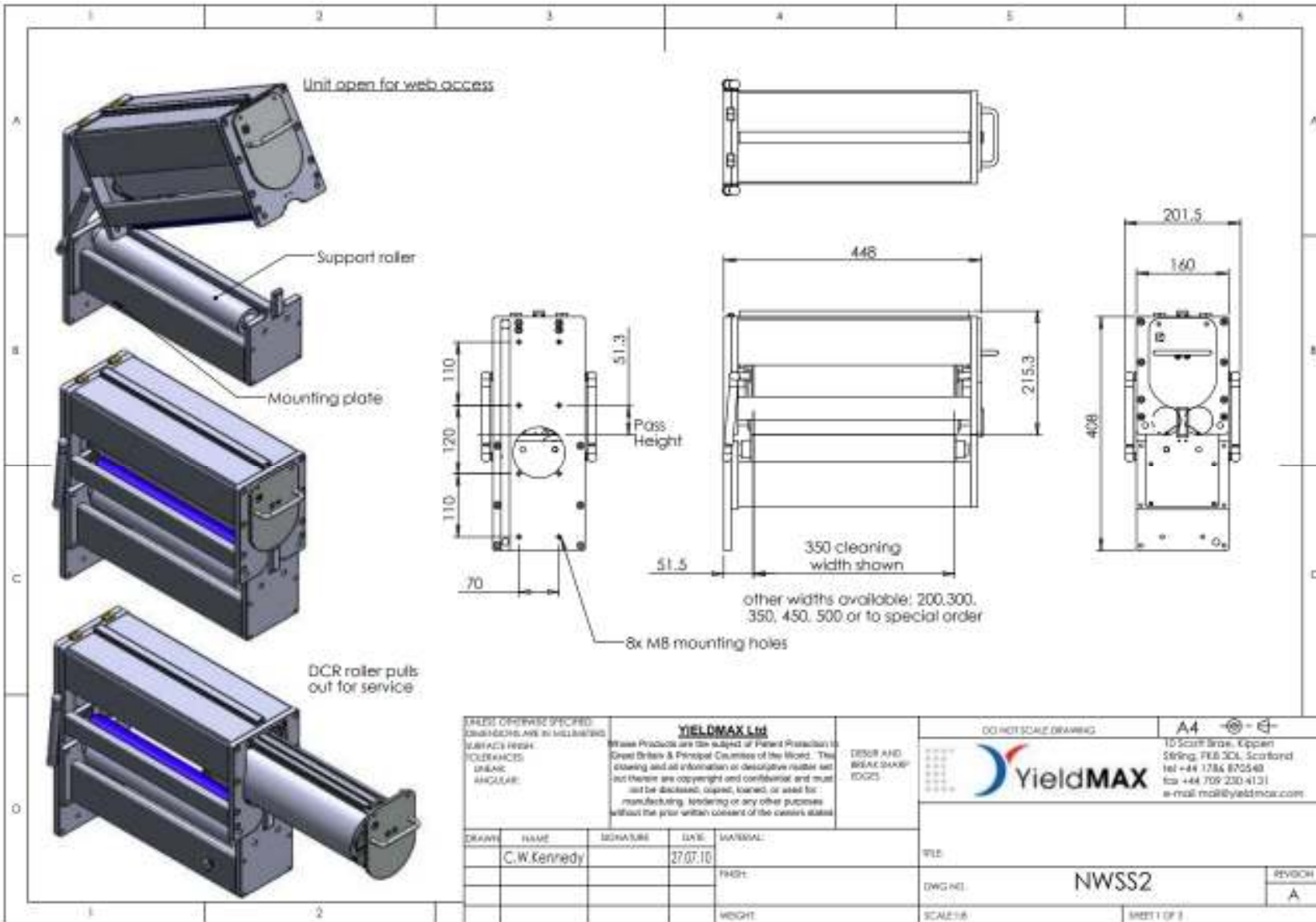
A4



10 Scott Brae, Kippen
Stirling, FK8 3DL, Scotland
tel +44 1786 870548
fax +44 709 230 4131
e-mail mail@yieldmax.com

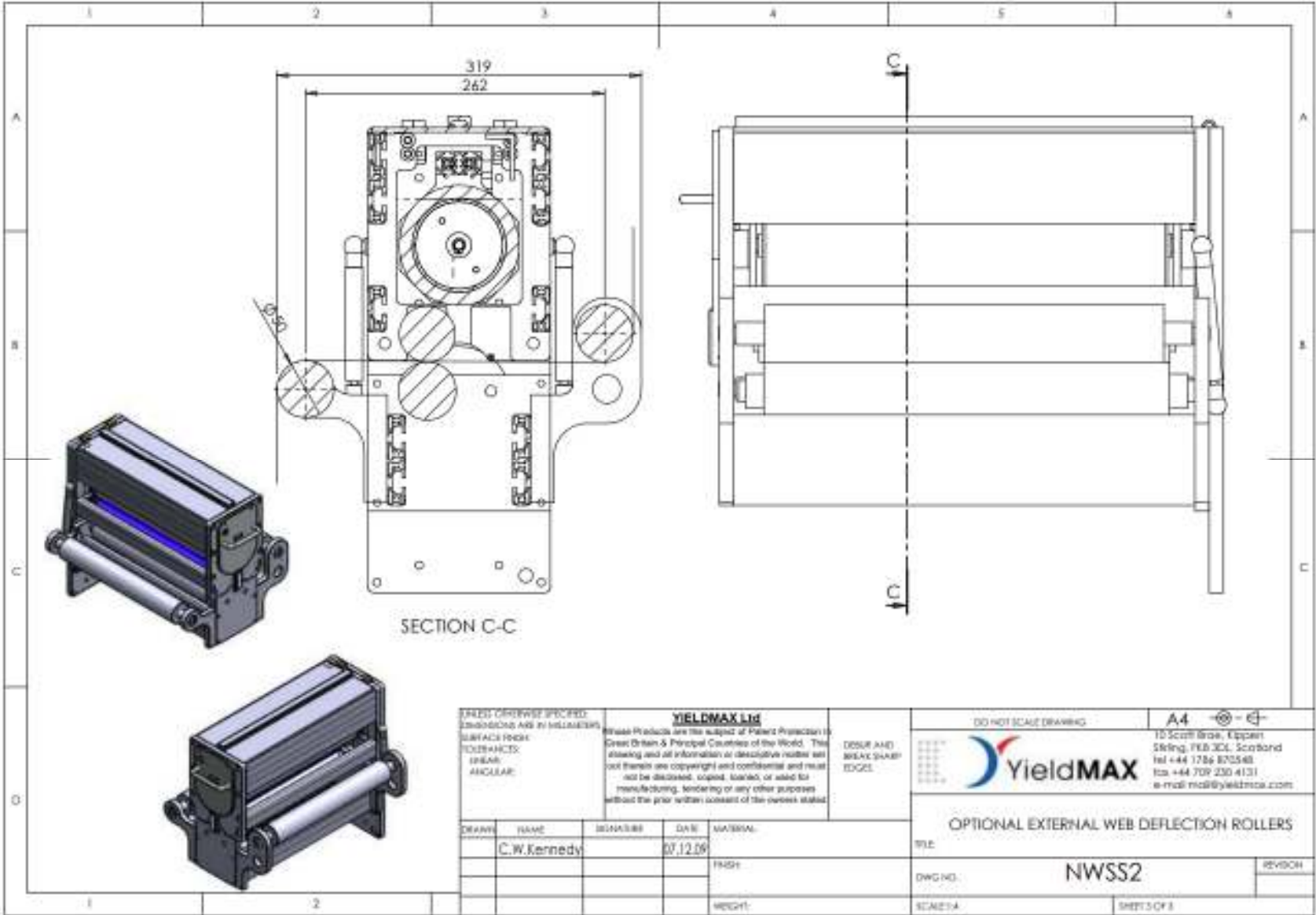
DRAWN	NAME	SIGNATURE	DATE	MATERIAL:
	C.W.Kennedy		07.12.09	
				FINISH:
				WEIGHT:

TITLE:	NWDS definitive		REVISION
DWG NO.:			
SCALE:1:6			SHEET 3 OF 9



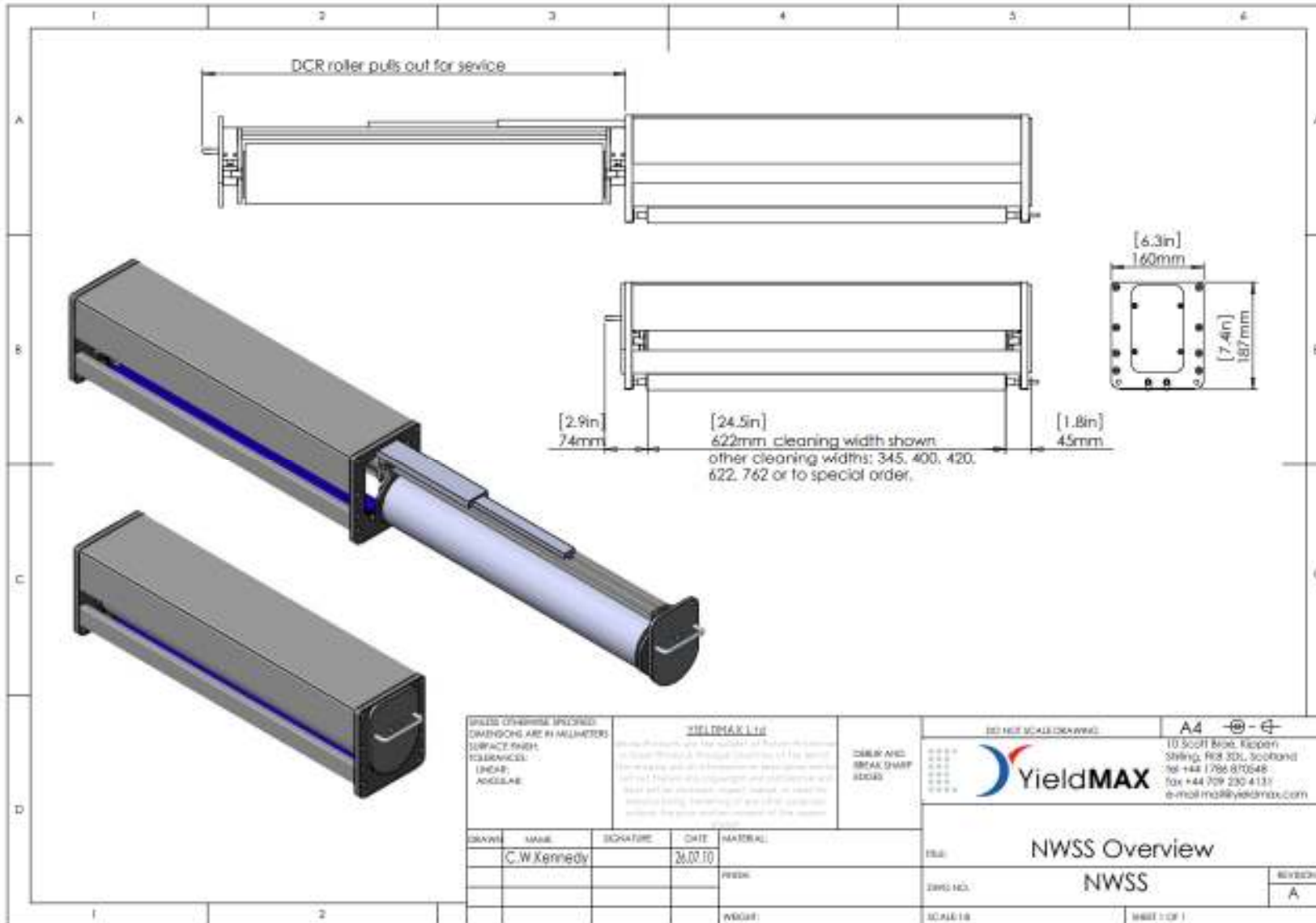
The NWSS is a narrow web cleaner (up to 620mm web width) that provides cleaning on one side of the web and incorporates a support roller. It is intended to be face mounted onto a web process machine and has pull out Contamination Entrapment Rolls for uninterrupted servicing. It also opens for access to the web.

UNLESS OTHERWISE SPECIFIED: DIMENSIONS ARE IN MILLIMETERS SURFACE FINISH: TOLERANCES: DIMENSIONAL: ANGULAR:		YIELDMAX Ltd Waste Products are the subject of Patent Protection in Great Britain & Principal Countries of the World. This drawing and all information or descriptive matter set out therein are copyright and confidential and must not be disclosed, copied, loaned, or used for manufacturing, rendering or any other purposes without the prior written consent of the owners' status.		DESIGN AND BREAK CHANGE EDGES		DO NOT SCALE DRAWING		A4 10 Scott Bros. Coppen Street, FEB 3CA, Scotland tel +44 1784 870540 fax +44 709 230 4131 e-mail: mail@yieldmax.com	
DRAWN:	NAME:	SIGNATURE:	DATE:	SCALE:	TITLE:		REVISED:		
	C.W.Kennedy		27.07.10		NWSS2		A		
					SCALE: 1:6		SHEET 1 OF 1		

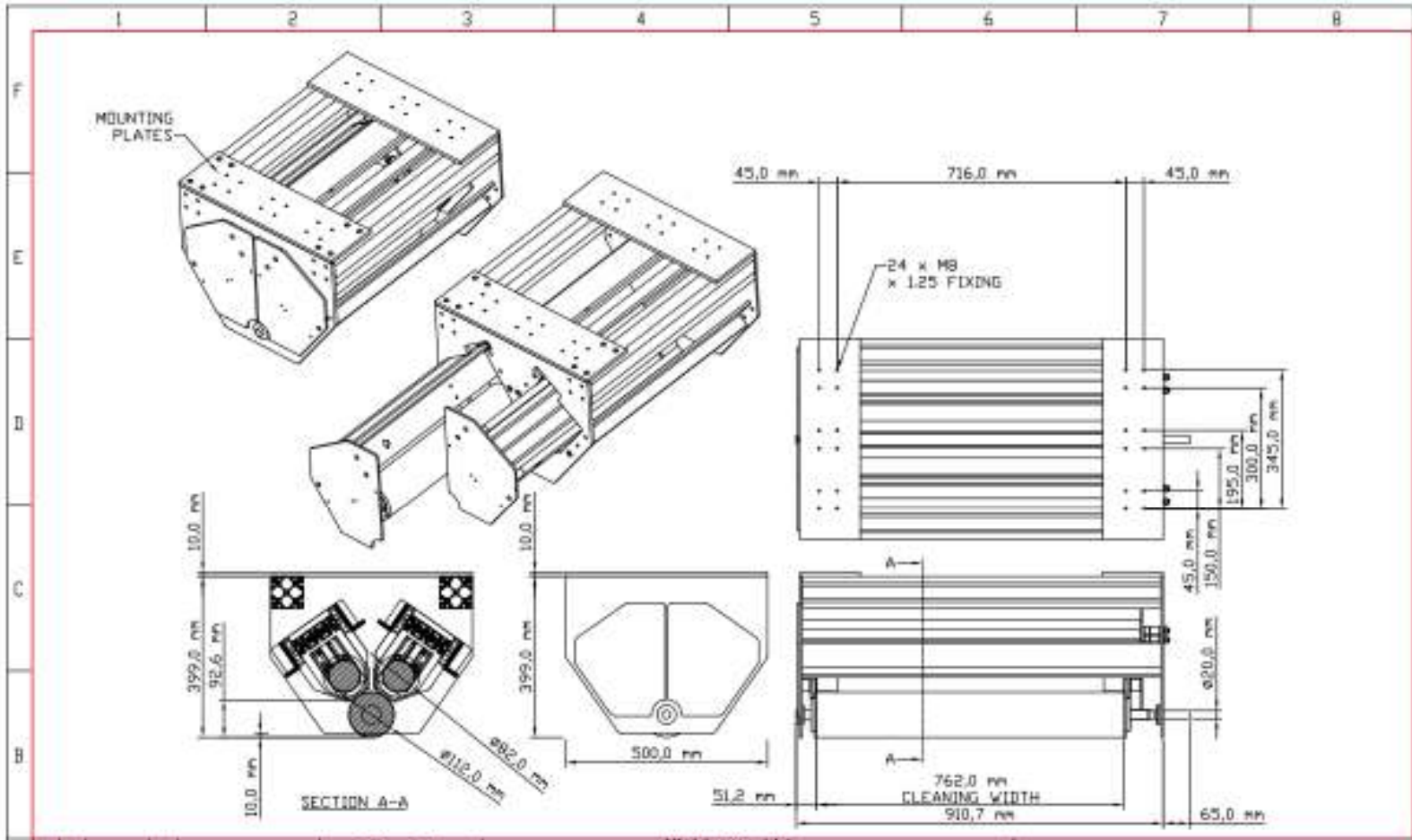


SECTION C-C

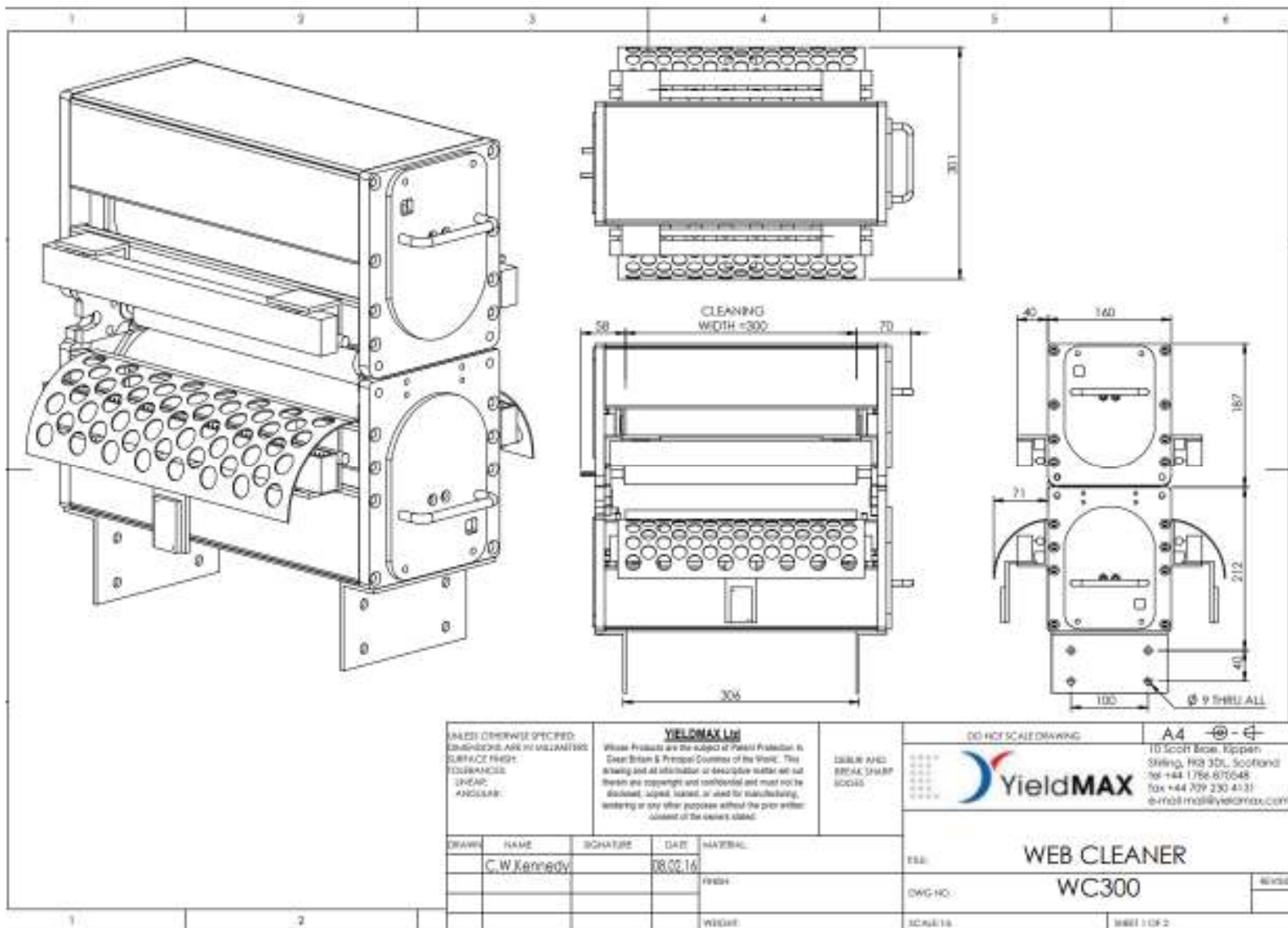
DIMENSIONS UNLESS OTHERWISE SPECIFIED DIMENSIONS ARE IN MILLIMETERS SURFACE FINISH: TOOLERANCES: FINISH: ANGULAR:		YIELDMAX Ltd Yieldmax Products are the subject of Patent Protection in Great Britain & Principal Countries of the World. The drawing and all information or descriptive matter set out herein are copyright and confidential and must not be disclosed, copied, loaned, or used for manufacturing, tendering or any other purposes without the prior written consent of the owners stated.		DESUR AND BREAK SHARP EDGES	DO NOT SCALE DRAWING 	A4 10 Scott Brae, Upper Skirling, FK8 3CE, Scotland Tel +44 1756 870548 Fax +44 709 230 4131 e-mail: info@yieldmax.com	
OPTIONAL EXTERNAL WEB DEFLECTION ROLLERS					TITLE:		
DRAWN: C.W.Kennedy		DESIGNER:		DATE: 07/12/09		DWG NO: NWSS2	REVISION:
CHECKED:		MATERIAL:		WEIGHT:			



DIMENSIONS ARE IN MILLIMETERS SURFACE FINISH UNLESS SPECIFIED LINEAR ANGULAR		YIELDMAX Ltd 10 Scott Blvd, Epsom Surrey, Mid SXL, Scotland Tel: +44 1706 870048 Fax: +44 709 230 4131 e-mail: info@yieldmax.com		DETAIL SCALE DRAWING A4	
DRAWN: C.W Kennedy DATE: 26.07.10		CHECK AND BREAK SHARP EDGES		YieldMAX	
TITLE: NWSS Overview		DWG NO: NWSS		REVISION: A	
SCALE: 1:1		SHEET 1 OF 1			



				Yieldmax Ltd		35 Scotts Way, Kippin, Stirling FK8 2JL Tel: +44 1796 870548 Fax: +44 144 709 230 4133 e-mail: yieldmax@bt.com	
		DIMENSIONAL TOLERANCES UNLESS OTHERWISE STATED: DIMENSION X ± 0.5mm XX ± 0.25mm XXX ± 0.1mm		ANGLES X ± 0.5° XX ± 1.0° XXX ± 0.5°			
A		ENGR: C.W.Kennedy	DATE: 01.03.06	MATERIAL: ..	TITLE: V762		
		CHK BY:	DATE:	FINISH: n/a	REVISION: SPECIAL		
		APP BY:	DATE:	SCALE: NTS	SHEET 1 OF 1	DRG SIZE:	PART No N/A Rev. A



SALES OTHERWISE SPECIFIED:
DIMENSIONS ARE IN MILLIMETRES
SURFACE FINISH:
TOLERANCES:
CHAMF:
ANGULAR:

YIELDMAX Ltd

Where Products are the subject of Patent Protection in Great Britain & Principal Countries of the World. This drawing and all information or descriptive matter set out therein are copyright and confidential and must not be disclosed, copied, leaked, or used for manufacturing, marketing or any other purpose without the prior written consent of the owners stated.

DESIGN AND
PROF. SHARP
SCISS

DO NOT SCALE DRAWING

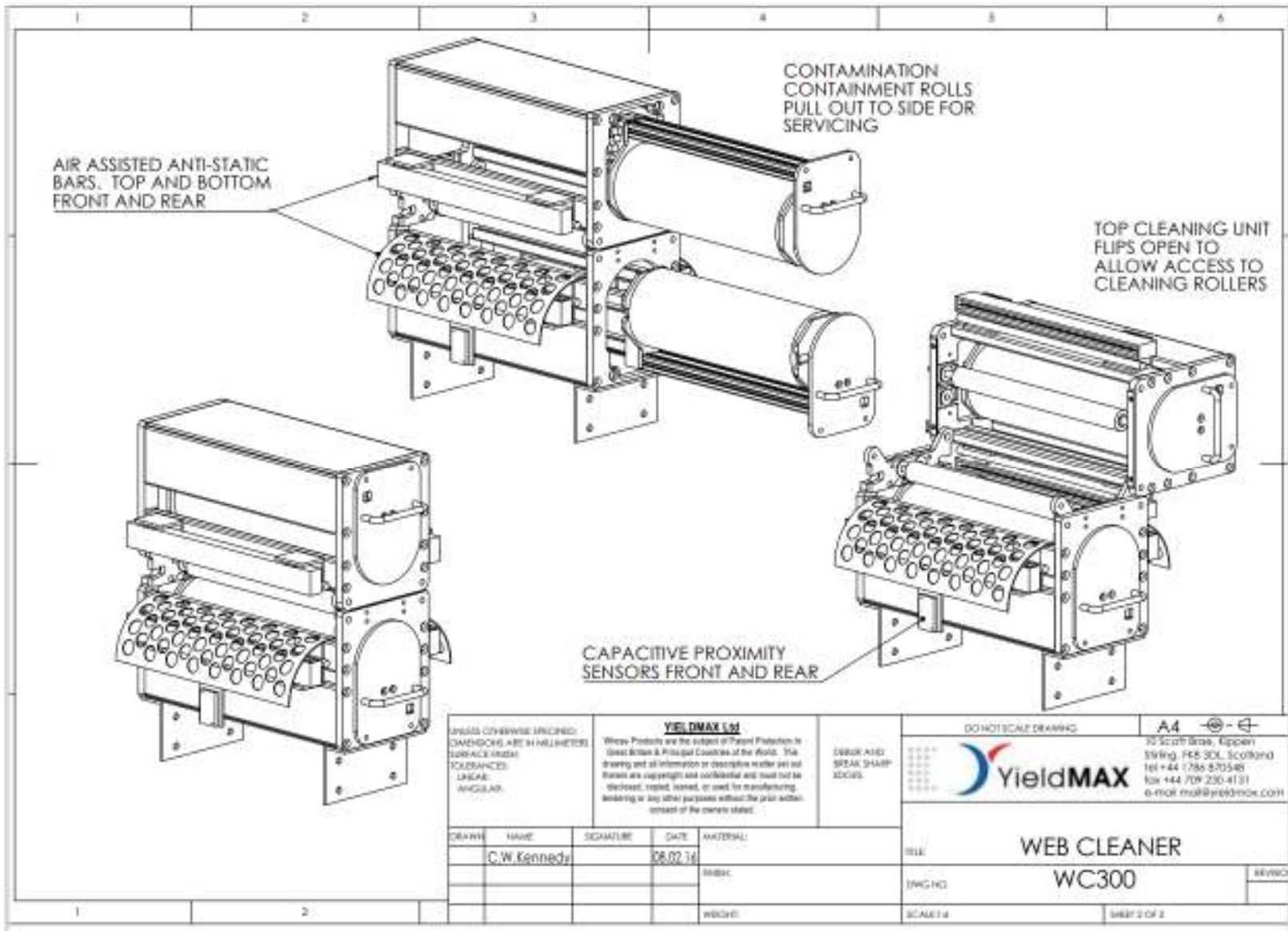
A4



10 Scott Moun. Kippen
Stirling, FK9 3DL, Scotland
Tel +44 1766 877048
Fax +44 739 230 4131
e-mail info@yieldmax.com

DRAWN	NAME	SIGNATURE	DATE	MATERIAL
	C. W Kennedy		08.02.16	
				FINISH
				WEIGHT

FILE:	WEB CLEANER		REVISED
DWG NO:	WC300		
SCALE 1:1			SHEET 1 OF 2



AIR ASSISTED ANTI-STATIC BARS, TOP AND BOTTOM FRONT AND REAR

CONTAMINATION CONTAINMENT ROLLS PULL OUT TO SIDE FOR SERVICING

TOP CLEANING UNIT FLIPS OPEN TO ALLOW ACCESS TO CLEANING ROLLERS

CAPACITIVE PROXIMITY SENSORS FRONT AND REAR

UNLESS OTHERWISE SPECIFIED:
DIMENSIONS ARE IN MILLIMETERS
SURFACE FINISH:
UNLESS OTHERWISE SPECIFIED:
UNLESS OTHERWISE SPECIFIED:
UNLESS OTHERWISE SPECIFIED:

YIELD MAX Ltd

Webco Products are the subject of Patent Protection in Great Britain & Principal Countries of the World. This drawing and all information or descriptive matter set out therein are copyright and confidential and must not be disclosed, copied, loaned, or used for manufacturing, marketing or any other purposes without the prior written consent of the owner thereof.

DEBUR AND
BREAK SHARP
EDGES

DO NOT SCALE DRAWING

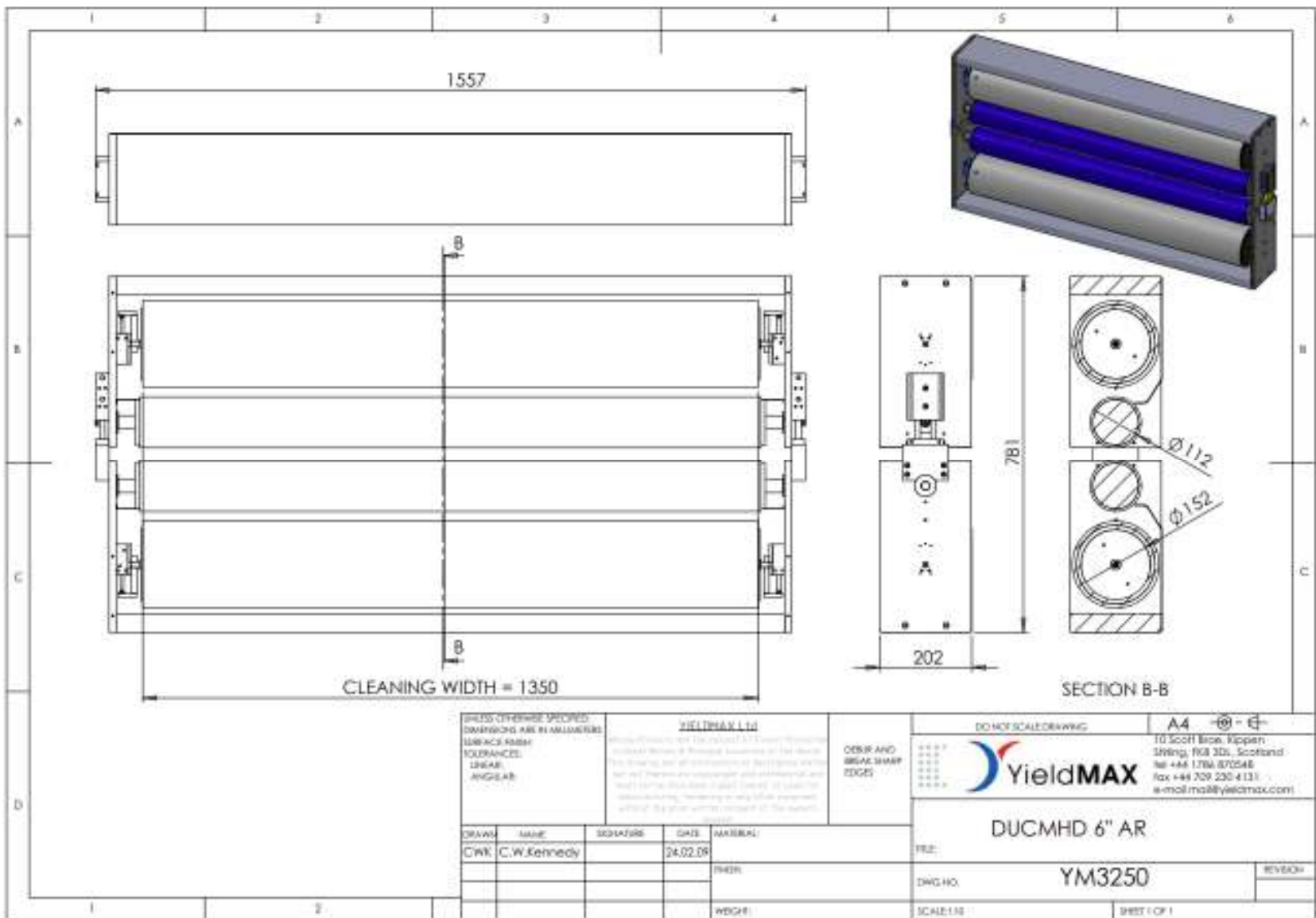
A4



70 Scott Drive, Eppon
Stirling, FK8 3DL, Scotland
Tel +44 (0)786 370549
fax +44 (0)786 230 4151
e-mail: info@yieldmax.com

DRAWN	NAME	SIGNATURE	DATE	MATERIAL
	C.W. Kennedy		08.02.16	

TITLE: WEB CLEANER		REVISED
DRAWING: WC300		
SCALE: 1:1	SHEET 2 OF 2	



UNLESS OTHERWISE SPECIFIED
DIMENSIONS ARE IN MILLIMETERS
SURFACE FINISH
TOLERANCES:
LINEAR
ANGULAR

YIELDMAX LTD

Yieldmax Ltd is a ISO 9001:2015 Certified Manufacturer
of Roller Mills & related machinery in the world.
This drawing and all components are designed and
built for the agricultural and commercial use
and are not to be used for any other purpose
without the prior written consent of the company.
© 2020 Yieldmax Ltd

ORDER AND
BREAK SHARP
EDGES

DO NOT SCALE DRAWING

A4

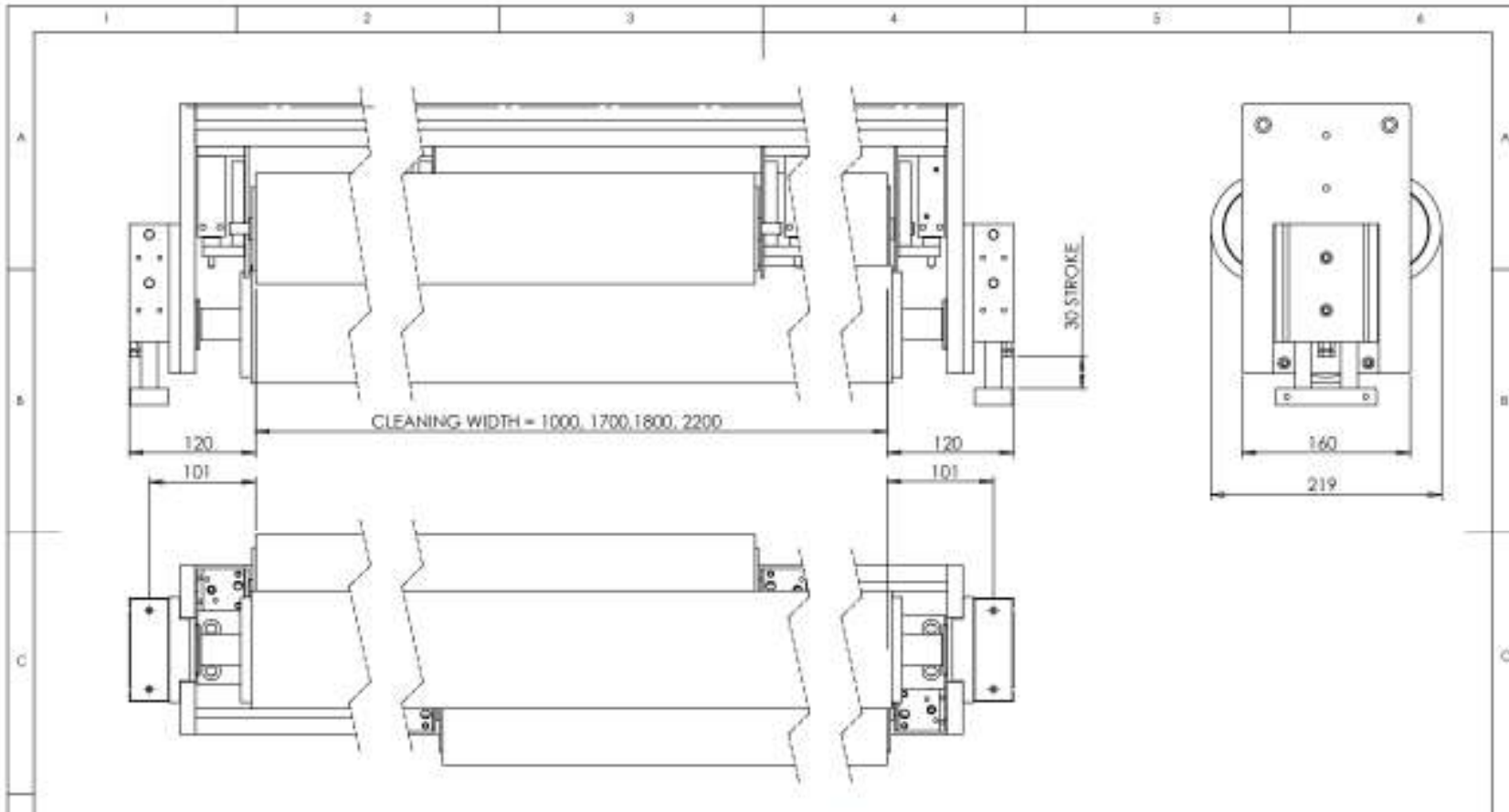


10 Scott Brae, Kippen,
Stirling, FK8 3DS, Scotland
Tel: +44 1786 870546
fax: +44 1789 230 4131
e-mail: mail@yieldmax.com

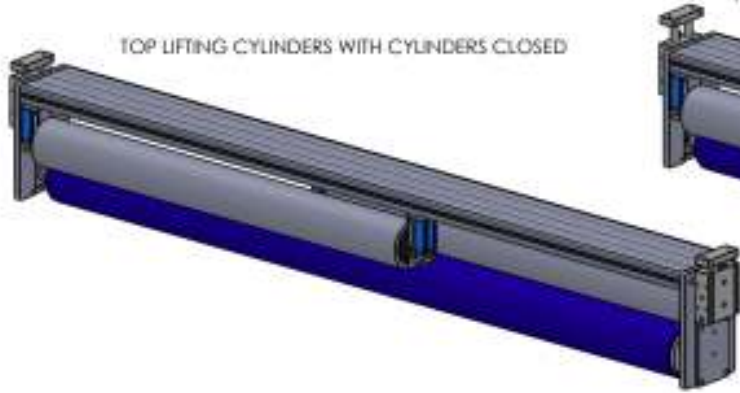
DRAWN	NAME	SIGNATURE	DATE	MATERIAL
CWK	C.W.Kennedy		24.02.09	
				FINISH
				WDOFF

DUCMHD 6" AR

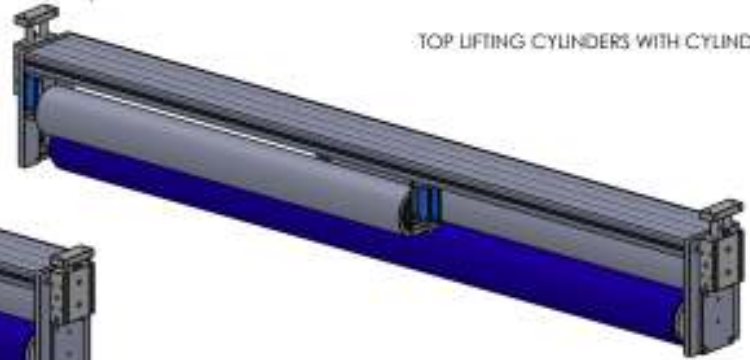
REV:		REVISION
DWG NO.	YM3250	
SCALE: 1:10		SHEET 1 OF 1



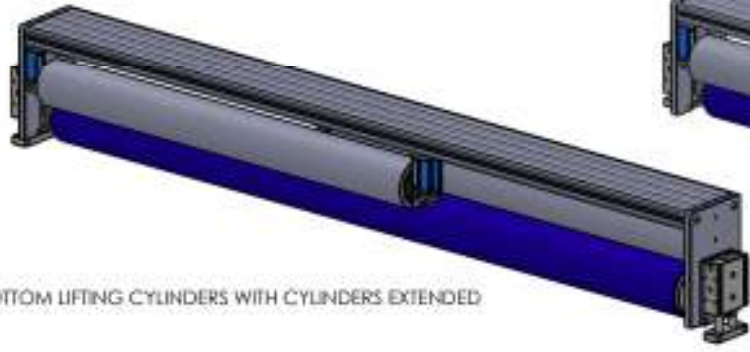
DIMENSIONS SPECIFIED DIMENSIONS ARE IN MILLIMETERS SURFACE FINISH: UNRAISED LINEAR ANGULAR		YIELDMAX Ltd These Products are the subject of Patent Protection in Great Britain & Principal Countries of the World. The drawing and all information or descriptive matter set out herein are copyright and confidential and shall not be disclosed, copied, copied, or used for manufacturing, rendering or any other purposes without the prior written consent of the owners stated.			DO NOT SCALE DRAWING YieldMAX 10 SCOTT BROS. RD 2981G, RD 25L, SCOTLAND Tel +44 1786 870048 Fax +44 709 230 4131 e-mail mol@yieldmax.com		A4	
DRAWN C.W Kennedy	NAME C.W Kennedy	SIGNATURE 	DATE 07.04.11	MATERIAL 	CHECK AND BREAK SHARP EDGES 	FILE 	DWG NO. DUCM	REVISION
				WEIGHT 	SCALE 1:1 	SHEET 1 OF 2 		



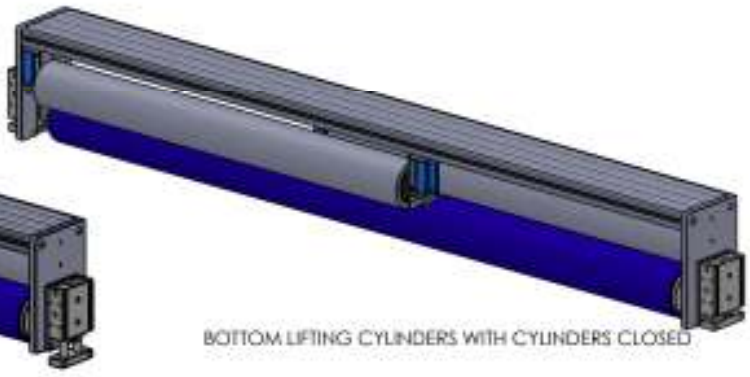
TOP LIFTING CYLINDERS WITH CYLINDERS CLOSED



TOP LIFTING CYLINDERS WITH CYLINDERS EXTENDED

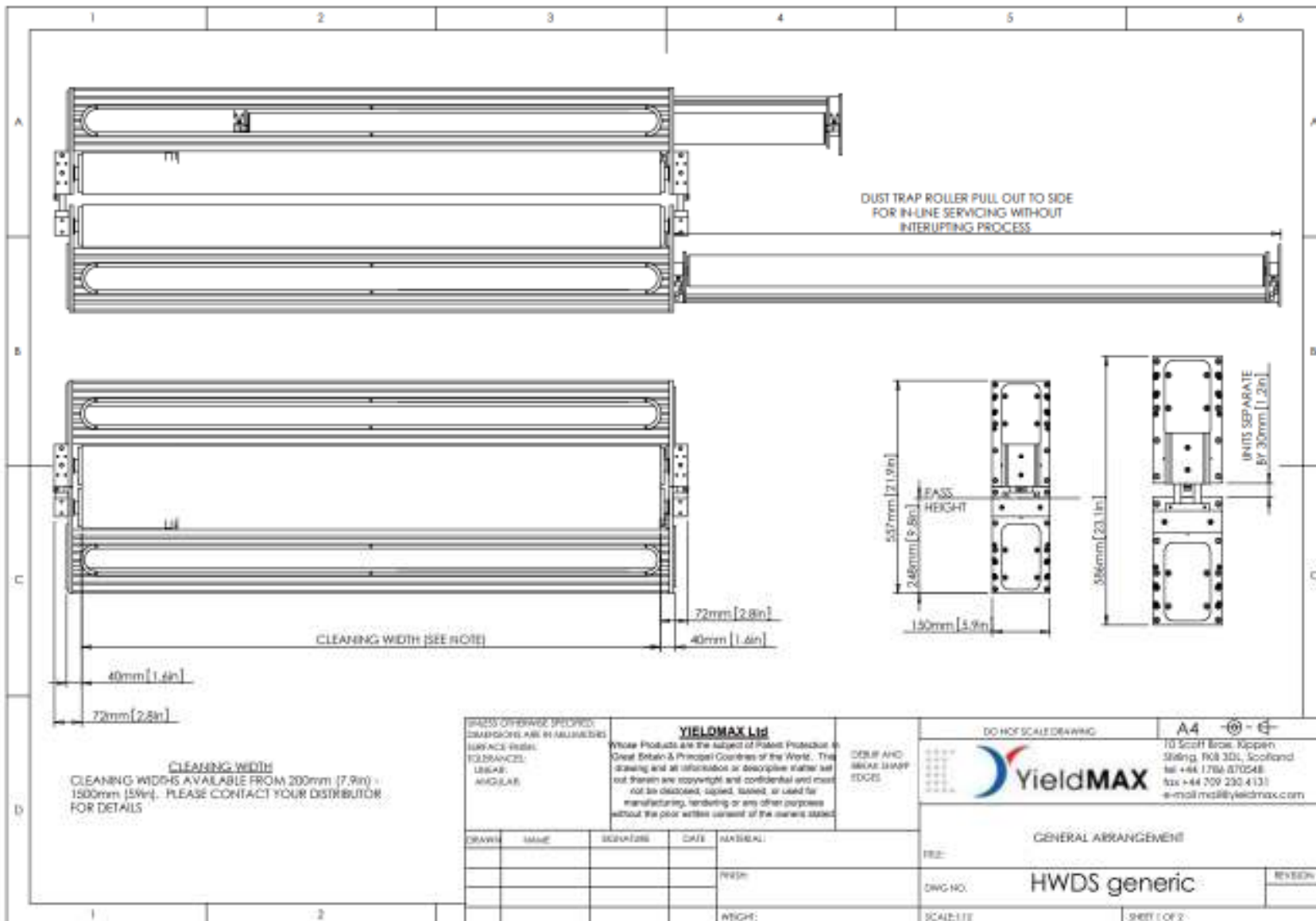


BOTTOM LIFTING CYLINDERS WITH CYLINDERS EXTENDED



BOTTOM LIFTING CYLINDERS WITH CYLINDERS CLOSED

DIMENSIONS UNLESS SPECIFIED DIMENSIONS ARE IN MILLIMETERS SURFACE FINISH: FURNISHED: LINEAR: ANGULAR:		YIELDMAX Ltd These Products are the subject of Patent Protection in Great Britain & Principal Countries of the World. The drawing and all information or descriptive matter set out herein are copyright and confidential and must not be disclosed, copied, varied, or used for manufacturing, tendering or any other purposes without the prior written consent of the owners stated.		DO NOT SCALE DRAWING YieldMAX 10 Scott Bosc, Kippen Strathg, FK20 3DL, Scotland Tel +44 1796 870348 Fax +44 709 230 4131 e-mail mo@yieldmax.co.uk	
DRAWN: C.W. Kennedy	AMOUNT: SIGNATURE: DATE: 07.06.11	MATERIAL: FINISH: WEIGHT:	DUBER AND BREAK SHARP EDGES	DWS NO: DUCM	REVISION:
SCALE: 1:1			SHEET 2 OF 2		



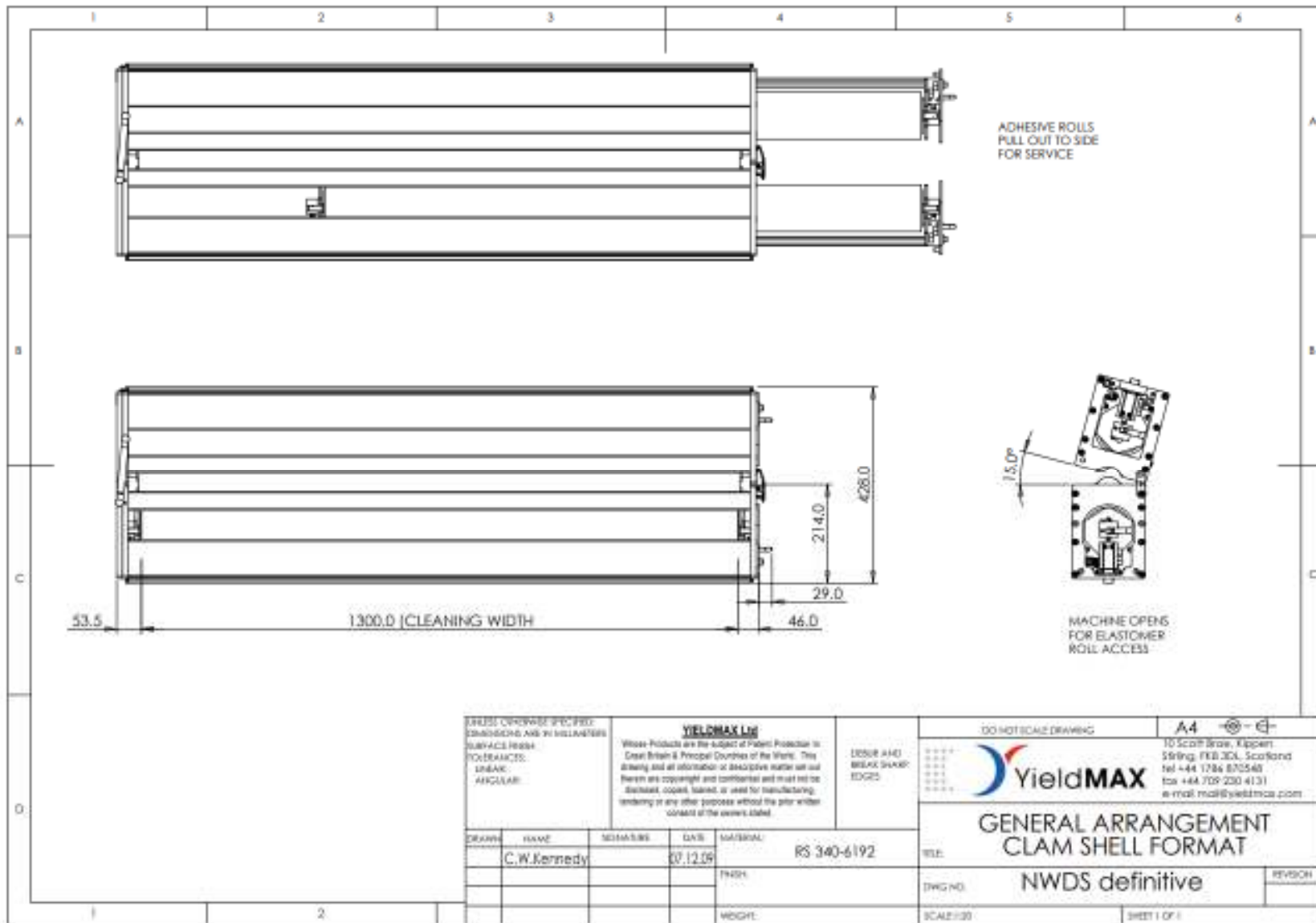
CLEANING WIDTH
CLEANING WIDTHS AVAILABLE FROM 200mm (7.9in) - 1500mm (59in). PLEASE CONTACT YOUR DISTRIBUTOR FOR DETAILS

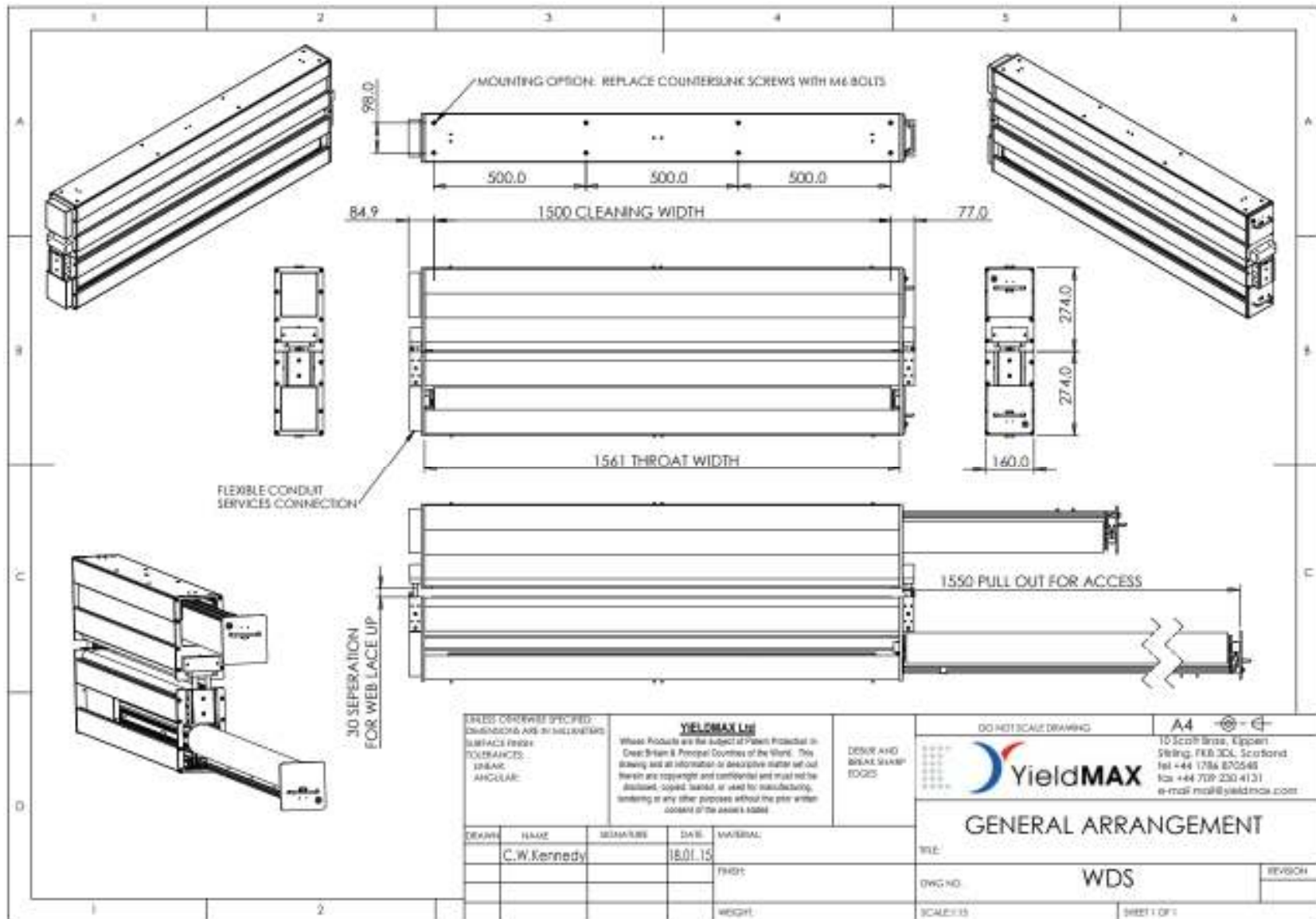


UNIT SHOWN SEPARATED WITH DUST
CONTAINMENT ROLLER PULLED OUT FOR SERVICE

UNIT SHOWN IN OPERATING STATE

DIMENSIONS SPECIFIED DIMENSIONS ARE IN MILLIMETERS SURFACE FINISH: TOLERANCES: LINEAR: ANGULAR:		YIELDMAX Ltd These Products are the subject of Patent Protection in Great Britain & Principal Countries of the World. This drawing and all information or descriptive matter set out therein are copyright and confidential and must not be disclosed, copied, loaned, or used for manufacturing, marketing or any other purposes without the prior written consent of the owners stated.		ISIRI AND SPEAK SHARP 100001	DO NOT SCALE DRAWING	A4															
					75 SCOFF BROOK, EBBWEN STRYTH, FERROD, SCOFFORD TEL +44 1786 670648 FAX +44 1709 230 4131 E-MAIL: info@yieldmax.com																
<table border="1"> <thead> <tr> <th>DRAWN</th> <th>NAME</th> <th>DATE</th> <th>MATERIAL</th> </tr> </thead> <tbody> <tr> <td> </td> <td> </td> <td> </td> <td> </td> </tr> <tr> <td> </td> <td> </td> <td> </td> <td> </td> </tr> <tr> <td> </td> <td> </td> <td> </td> <td> </td> </tr> </tbody> </table>	DRAWN	NAME	DATE	MATERIAL															TITLE: DWG NO.:	HWDS generic	REVISION:
DRAWN	NAME	DATE	MATERIAL																		
				SCALE: 1:1	SHEET 2 OF 2																





UNLESS OTHERWISE SPECIFIED
DIMENSIONS ARE IN MILLIMETERS
SURFACE FINISH
TOLERANCES:
DIMAS:
ANGULAR:

YieldMAX Ltd

Where Products are the Subject of Patent Protection in Great Britain & Principal Countries of the World. This Drawing and all information is deemed to be confidential and must not be disclosed, copied, loaned, or used for manufacturing, rendering in any other purpose without the prior written consent of the owner YieldMAX Ltd.

SHARP AND
BREAK SHARP
EDGES

DO NOT SCALE DRAWING

A4

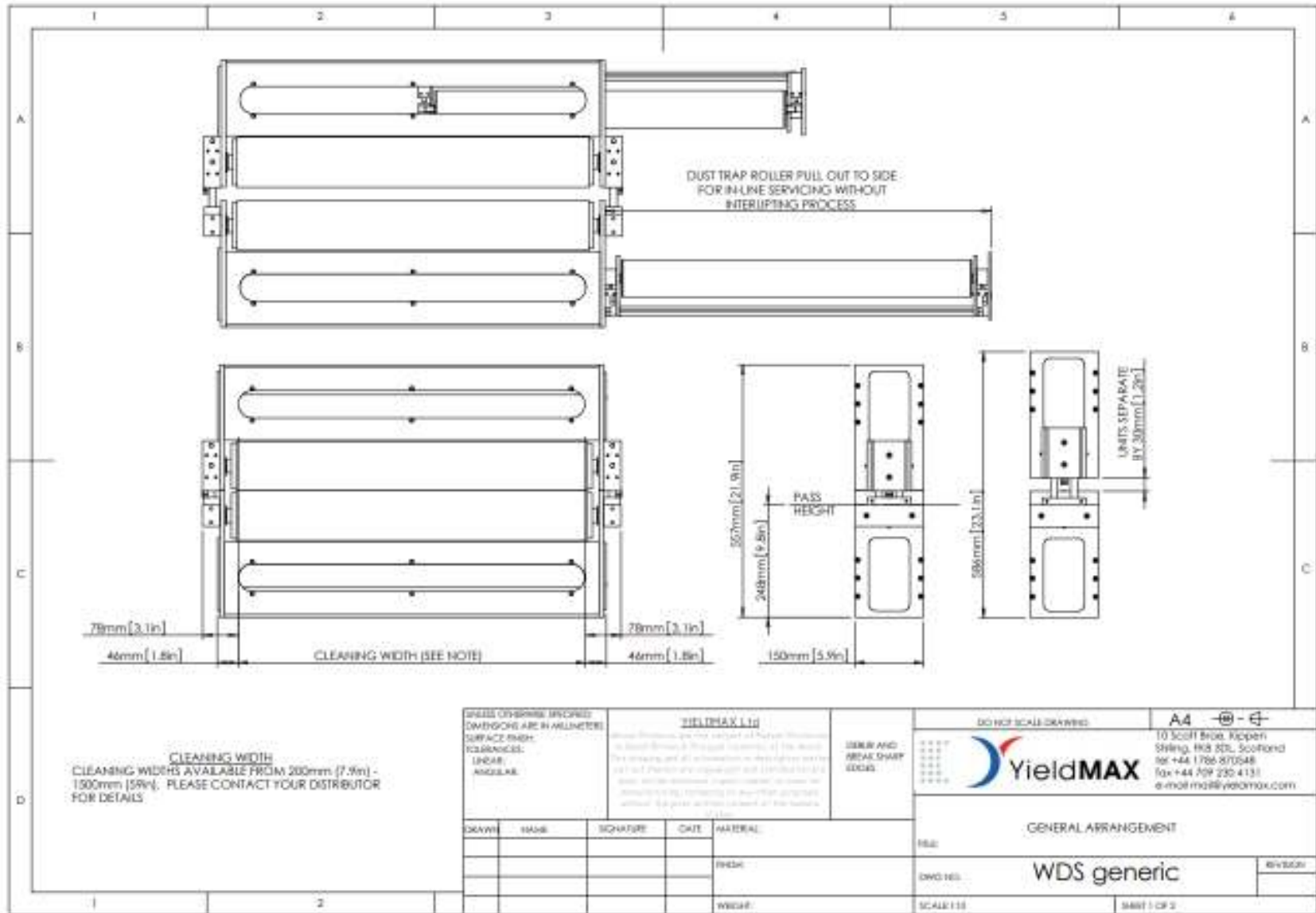


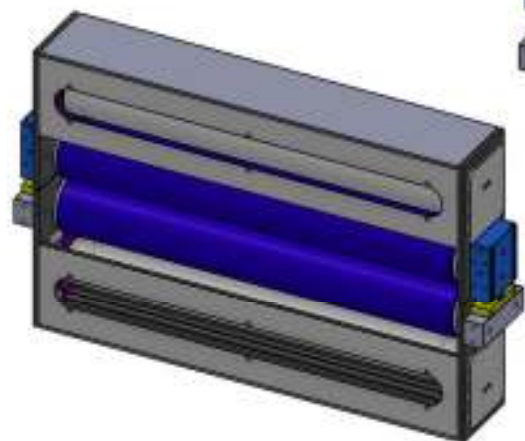
10 Scott Street, Epping
Suffolk, IP8 2CA, Scotland
Tel: +44 1784 870548
Fax: +44 709 230 4131
e-mail: mail@yieldmax.com

GENERAL ARRANGEMENT

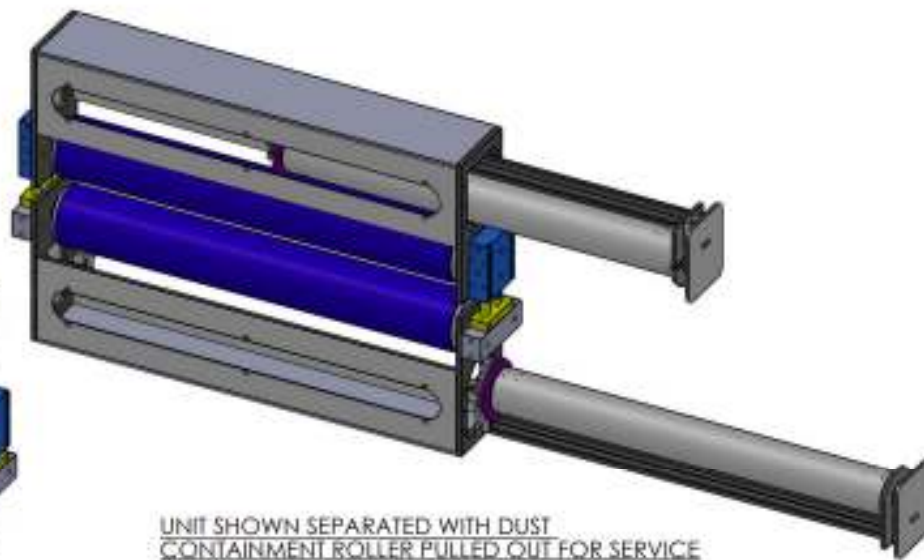
DESIGNER	NAME	DATE	REVISION
	C.W.Kennedy	18.01.15	

TITLE:	WDS	REVISION:
DWG NO:		
SCALE: 1:15		SHEET 1 OF 1



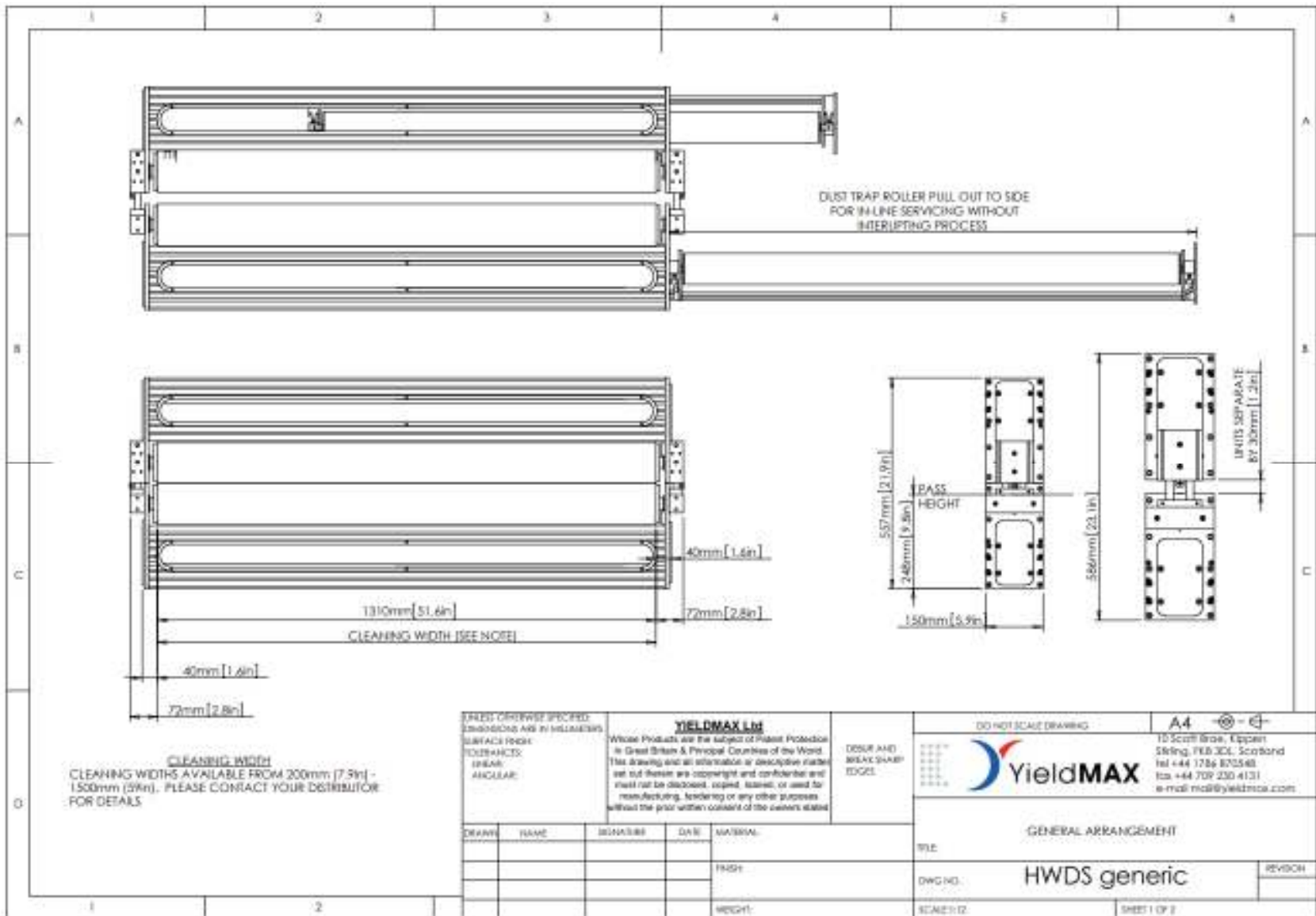


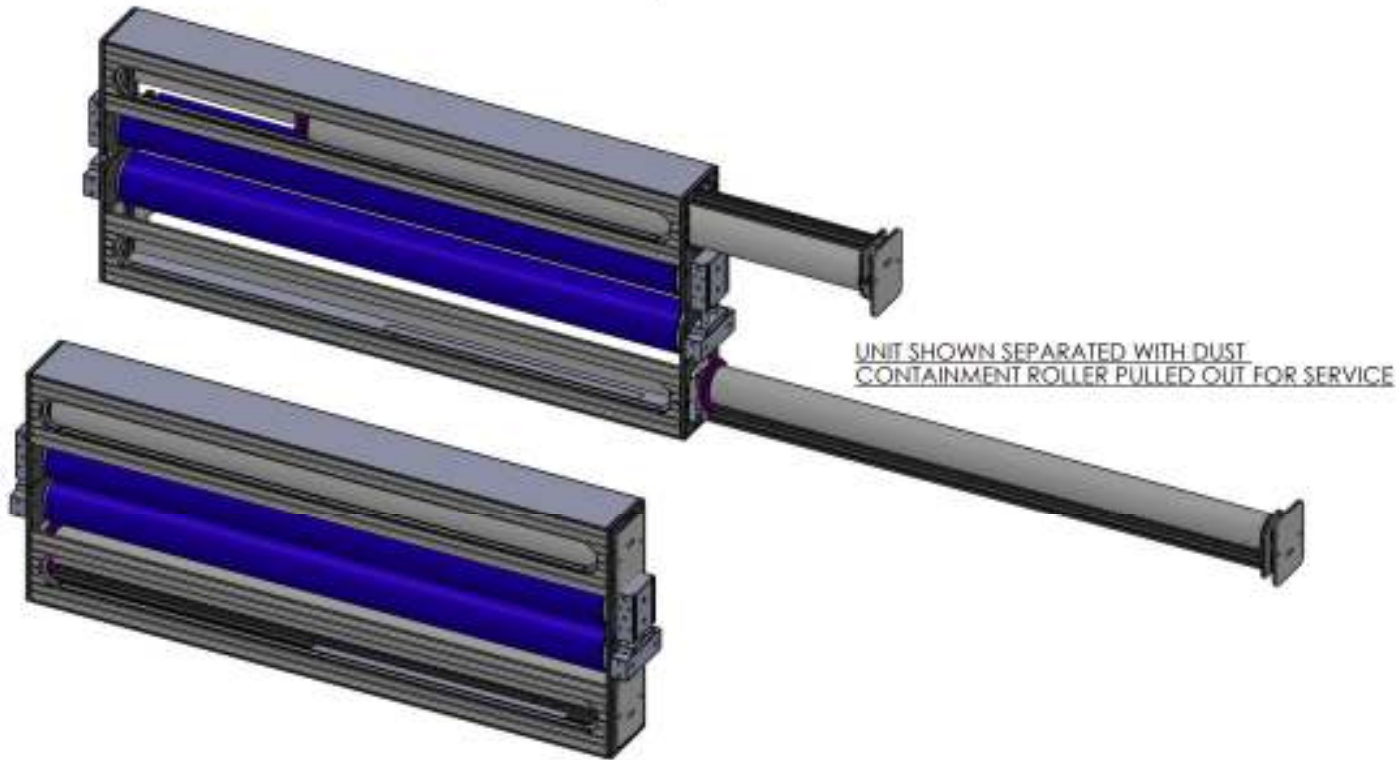
UNIT SHOWN IN OPERATING STATE



UNIT SHOWN SEPARATED WITH DUST
CONTAINMENT ROLLER PULLED OUT FOR SERVICE

DIMENSIONS UNLESS SPECIFIED DIMENSIONS ARE IN MILLIMETERS SURFACES FINISH TOOLERIES LINEAR: ANGULAR:		YIELDMAX LTD 10 Scott Drive, Upper Springfield, QLD, Australia Tel: +61 7 559 230 4131 Email: info@yieldmax.com.au		DO NOT SCALE DRAWING 		A4 10 Scott Drive, Upper Springfield, QLD, Australia Tel: +61 7 559 230 4131 Email: info@yieldmax.com.au	
DRAWN: NAME: SIGNATURE: DATE: MATERIAL:	DESIGN AND BREAK DASH EDGES:		TITLE: WDS generic		REVISION:		
WEIGHT:		SCALE: 1:1		SHEET 2 OF 2			

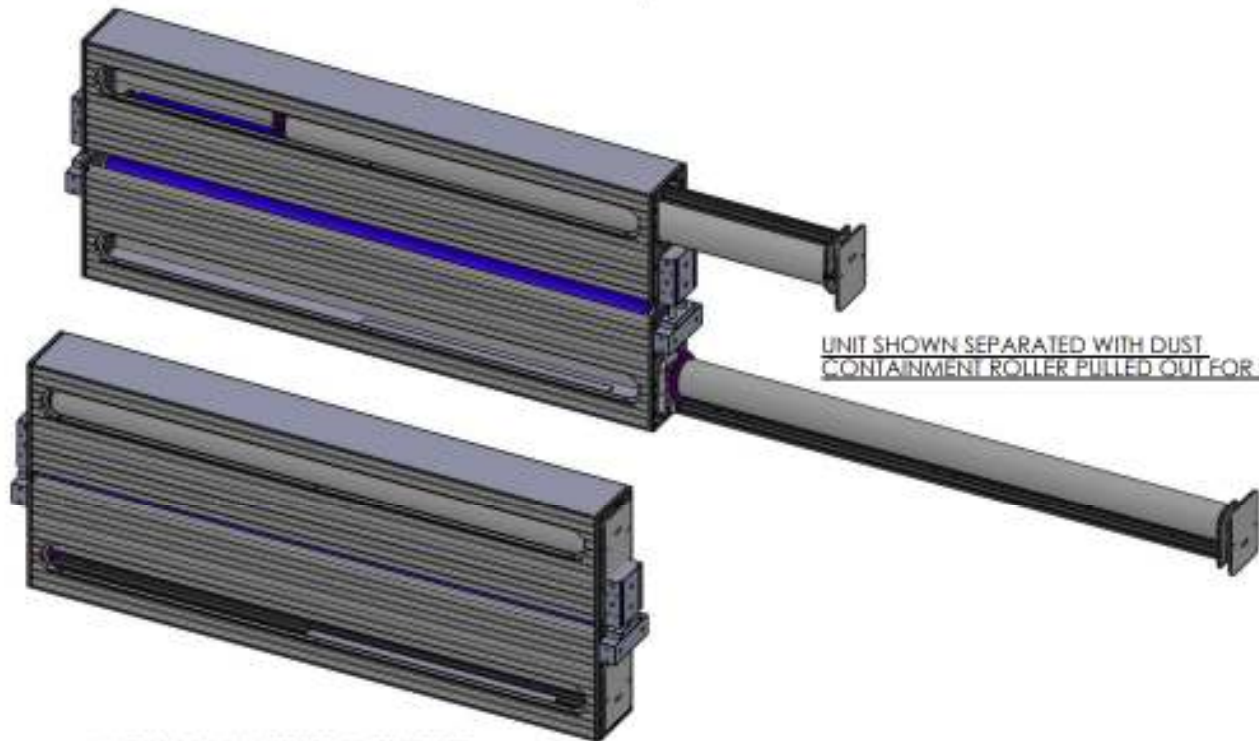




UNIT SHOWN IN OPERATING STATE

UNIT SHOWN SEPARATED WITH DUST CONTAINMENT ROLLER PULLED OUT FOR SERVICE

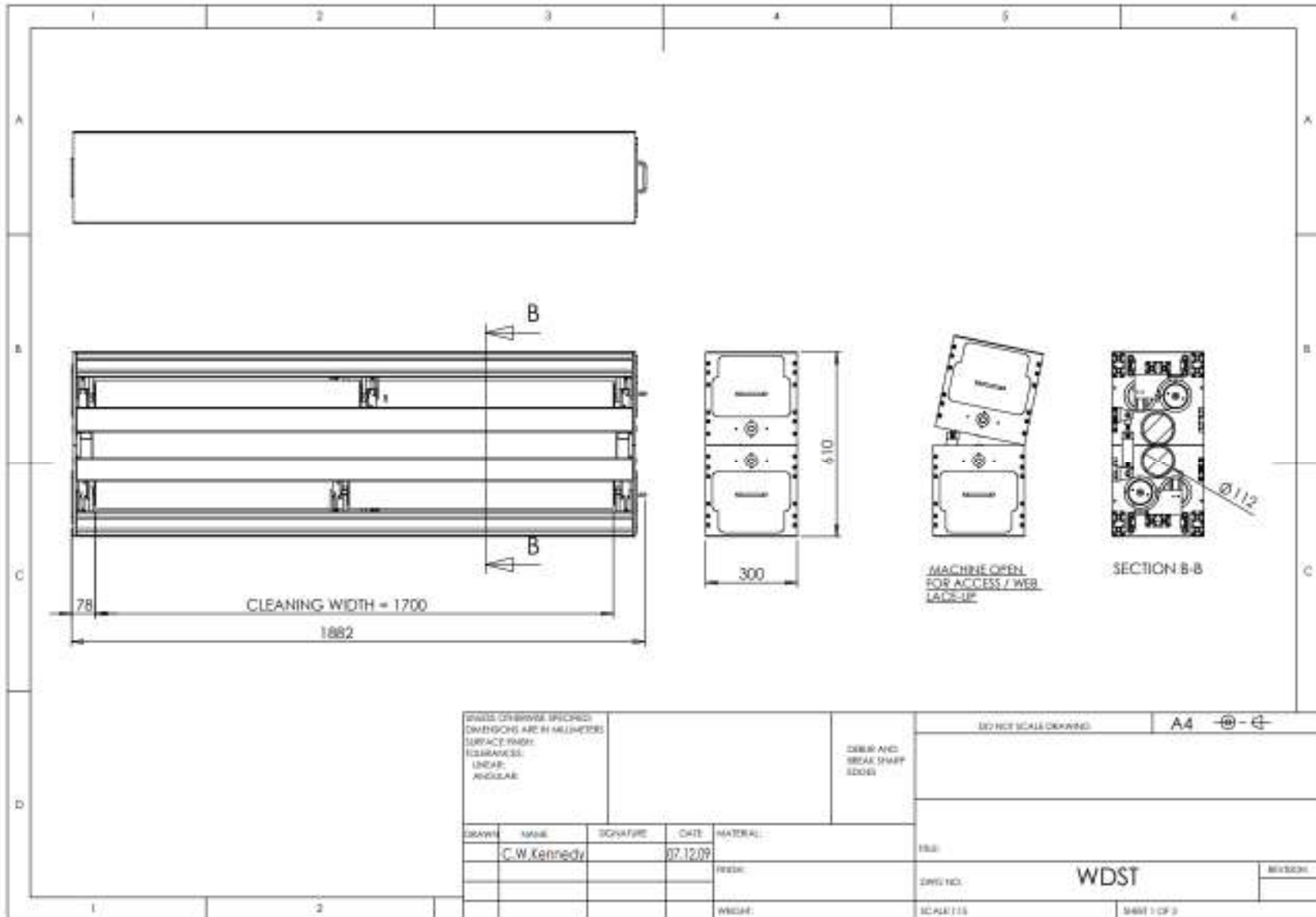
PRESS OPERATOR SPECIFIED: DIMENSIONS ARE IN MILLIMETERS SURFACE FINISH: TOLERANCES: UNITS: ANGLE:		YIELDMAX Ltd Yieldmax Products are the subject of Patent Protection in Great Britain & Principal Countries of the World. This drawing and all information or descriptive matter set out herein are copyright and confidential and shall not be disclosed, copied, loaned, or used for manufacturing, rendering or any other purposes without the prior written consent of the owners stated.		DO NOT SCALE DRAWING	A4	DO NOT SCALE DRAWING	10 Scott Brae, Rippen Stirling, FK8 3DL, Scotland tel +44 1700 870548 fax +44 709 230 4131 e-mail mc@yieldmax.com
DRAWN:		NAME:	DATE:	SCALE:	REVISED:	YieldMAX	
CHECK AND BREAK SHARP EDGES		DATE:		DWG NO:		HWDS generic	
WEIGHT:		SCALE 1:1		SHEET 2 OF 2			



UNIT SHOWN SEPARATED WITH DUST
CONTAINMENT ROLLER PULLED OUT FOR SERVICE

UNIT SHOWN IN OPERATING STATE

EXPLODED VIEW SPECIFIED: DIMENSIONS ARE IN MILLIMETERS SURFACE FINISH: CLEARANCE: LINEAR: ANGULAR:		YIELDMAX Ltd Whose Products are the subject of Patent Protection in Great Britain & Principal Countries of the World. This drawing and all information or descriptive matter set out therein are copyright and confidential and must not be disclosed, copied, issued, or used for manufacturing, lending or any other purpose without the prior written consent of the owners stated		DO NOT SCALE DRAWING A4		70 Scott Brae, Kippen Stirling, FK8 3DL, Scotland tel: +44 1756 870548 fax: +44 759 230 6131 e-mail: info@yieldmax.com			
DRAWN:		NAME:		DESIGNER:		DATE:		MATERIAL:	
								FINISH:	
								WEIGHT:	
TITLE:						HWDS generic		REVISION:	
DWG NO:						SCALE: 1:1		SHEET 2 OF 2	



UNLESS OTHERWISE SPECIFIED
DIMENSIONS ARE IN MILLIMETERS
SURFACE FINISH:
CLEARANCES:
LINEAR:
ANGULAR:

DEBUR AND
BREAK SHARP
EDGES

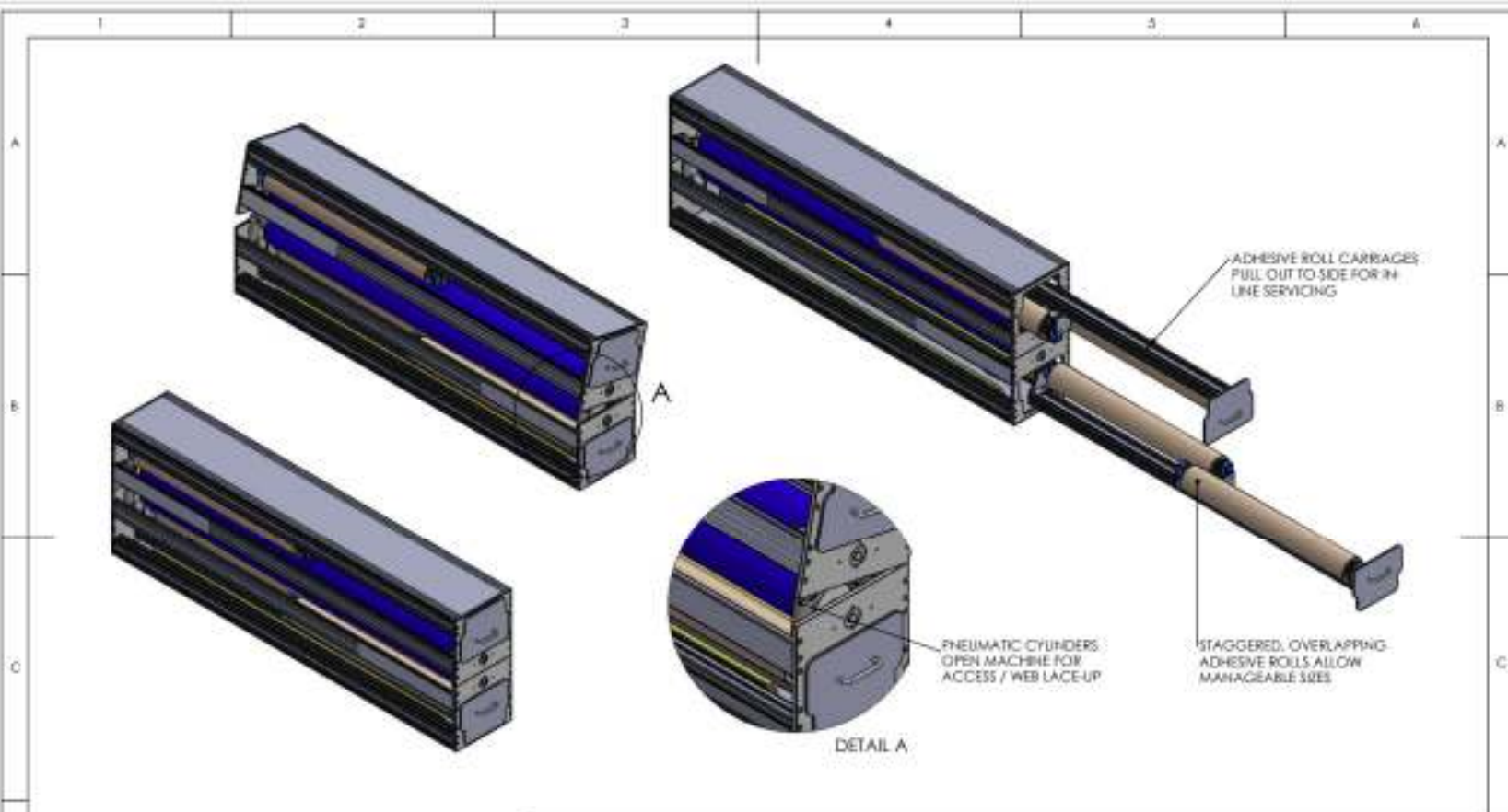
DO NOT SCALE DRAWING

A4 \oplus - \ominus

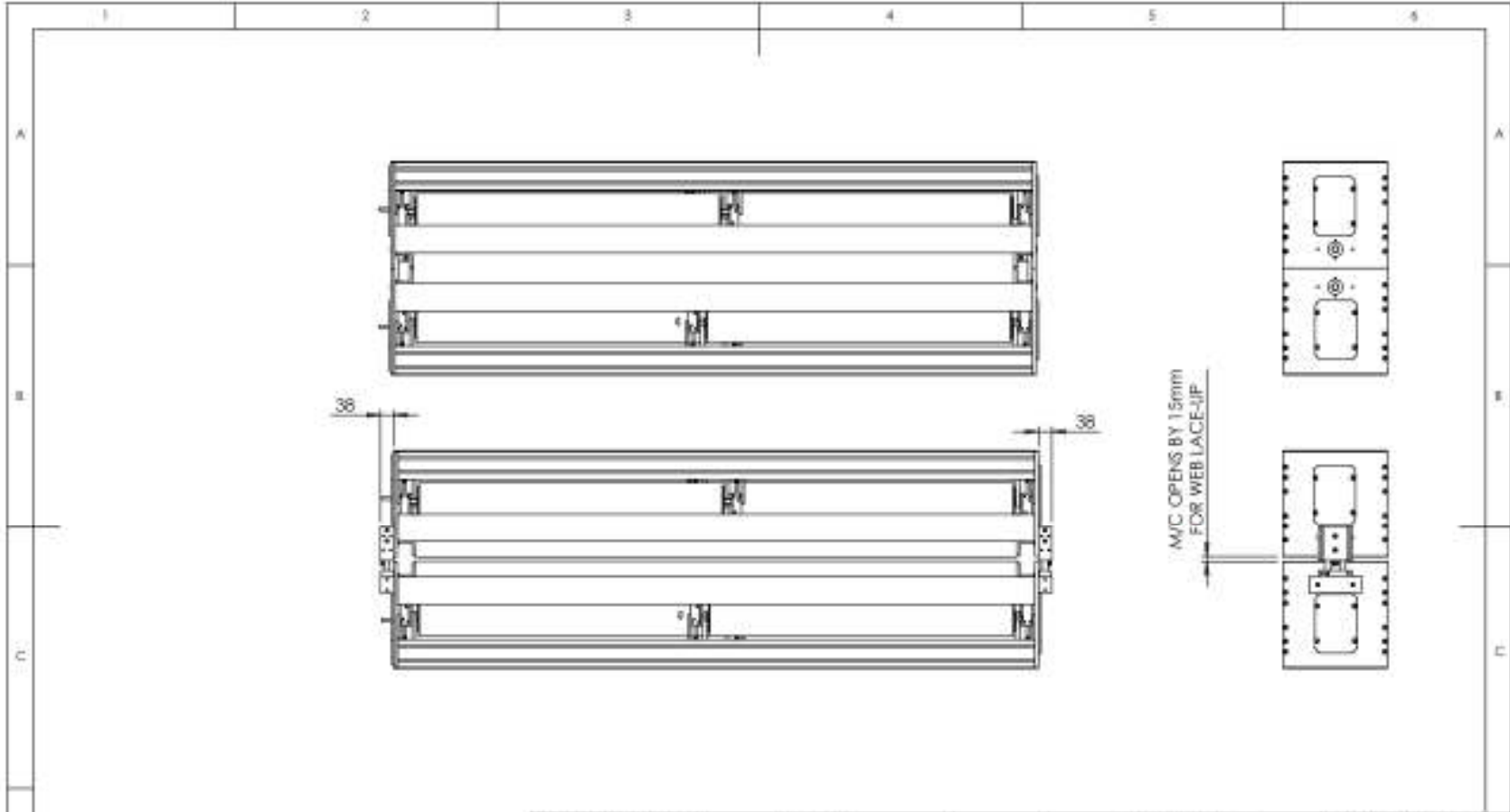
DRAWN	NAME	SIGNATURE	DATE	MATERIAL:
	C.W.Kennedy		07.12.09	

ISSUE:
REVISED:
DATE:
BY:
REASON:

DWG. NO. **WDST** REVISION
SCALE 1:1 DRAWN BY: **WDST** PART 1 OF 3



DIMENSIONS UNLESS SPECIFIED: DIMENSIONS ARE IN MILLIMETERS SURFACE FINISH: FURNISHINGS: LINEAR: ANGULAR				DIMS AND MEAL SHARP EDGES		DO NOT SCALE DRAWING		A4	
DRAWN: C.W. Kennedy	NAME: C.W. Kennedy	SIGNATURE: 	DATE: 07.12.09	MATERIAL:		FINISH:		WJST	
				WEIGHT:		SCALE: 1:10		SHEET 2 OF 2	



FINISH OTHERWISE SPECIFIED
DIMENSIONS ARE IN MILLIMETERS
SURFACE FINISH:
COVERAGES:
WEAR:
ANGLE:

YIELDMAX LTD
These Products are the subject of Patent Protection in Great Britain & Principal Countries of the World. This drawing and all information or descriptive matter set out therein are copyright and confidential and must not be disclosed, copied, loaned, or used for manufacturing, marketing or any other purpose without the prior written consent of the owner YIELDMAX.

DESIGN AND
WEAR SHARP
EDGES

DO NOT SCALE DRAWING

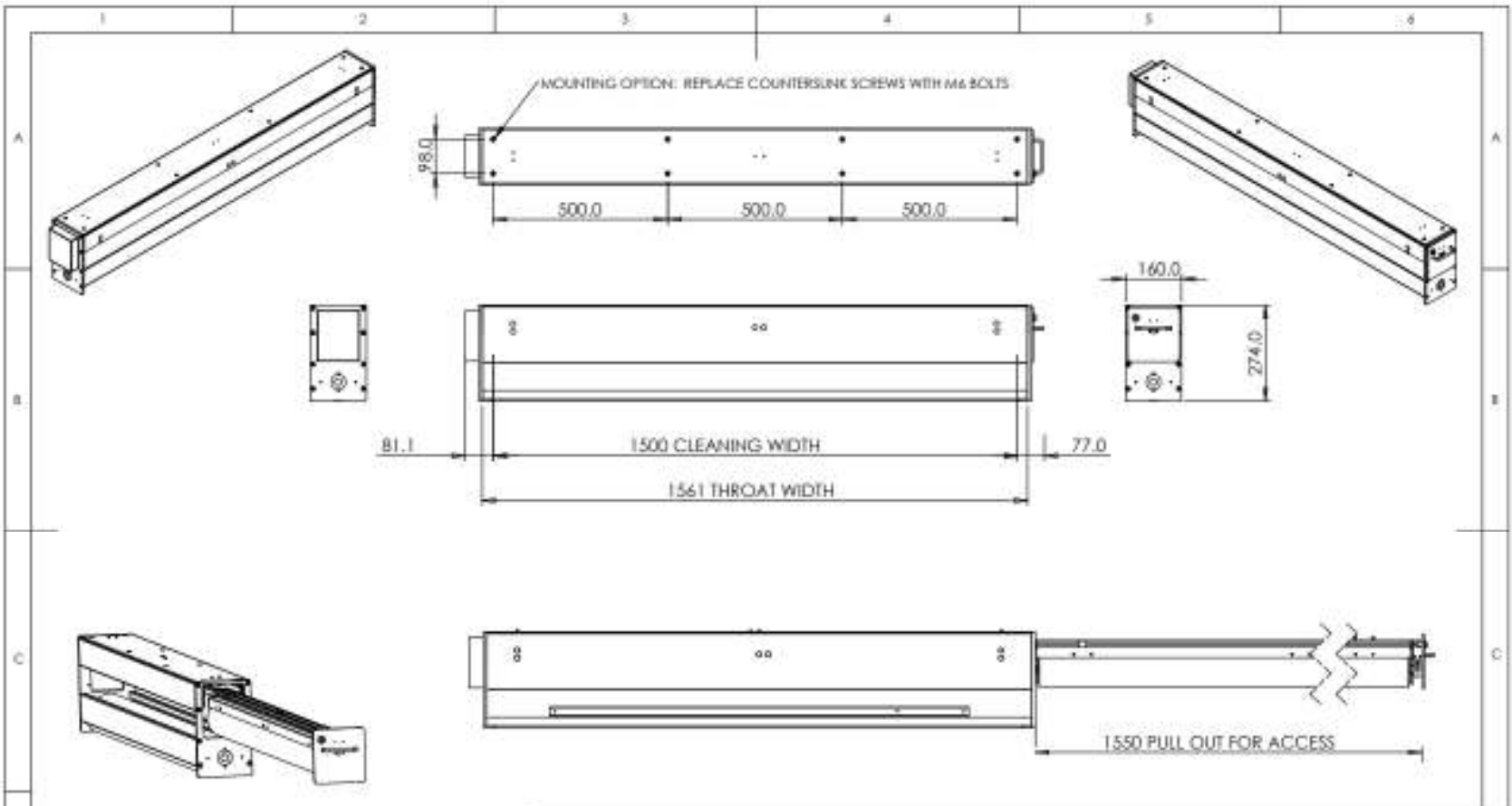
A4
D-Scott Bros, Kippin
5th Flg, 178a-179a, Scothard
tel +44 1754 870540
fax +44 709 230 4131
e-mail: mail@yieldmax.com



VERTICAL SEPARATION OPTION

DRAWN	NAME	DESIGNER	DATE	MATERIAL
	C.W.Kennedy		07.12.09	
				FINISH
				WEIGHT

FILE		REVISION	
DWG NO.	WDST		
SCALE: 1:1			SHEET 3 OF 3



UNLESS OTHERWISE SPECIFIED DIMENSIONS ARE IN MILLIMETERS
 SURFACE FINISH:
 CLEARANCE:
 CHAMFER:
 ANGULAR:

YIELDMAX Ltd
 Where Products are the subject of Patent Protection in Great Britain & Foreign Countries of the World. This drawing and all information in descriptive matter set out herein are copyright and confidential and must not be disclosed, copied, loaned, or used for manufacturing, marketing or any other purposes without the prior written consent of the owners stated.

DRINK AND
 BREAK SHARP
 EDGES

DO NOT SCALE DRAWING

A4

YieldMAX

10 SCOTT BROS. EGGHON
 3/19th FKB BCL Scotland
 tel +44 1786 870540
 fax +44 709 230 4131
 e-mail: info@yieldmax.com

DRAWN	NAME	SIGNATURE	DATE	MATERIAL
	C.W.Kennedy		18/01/15	

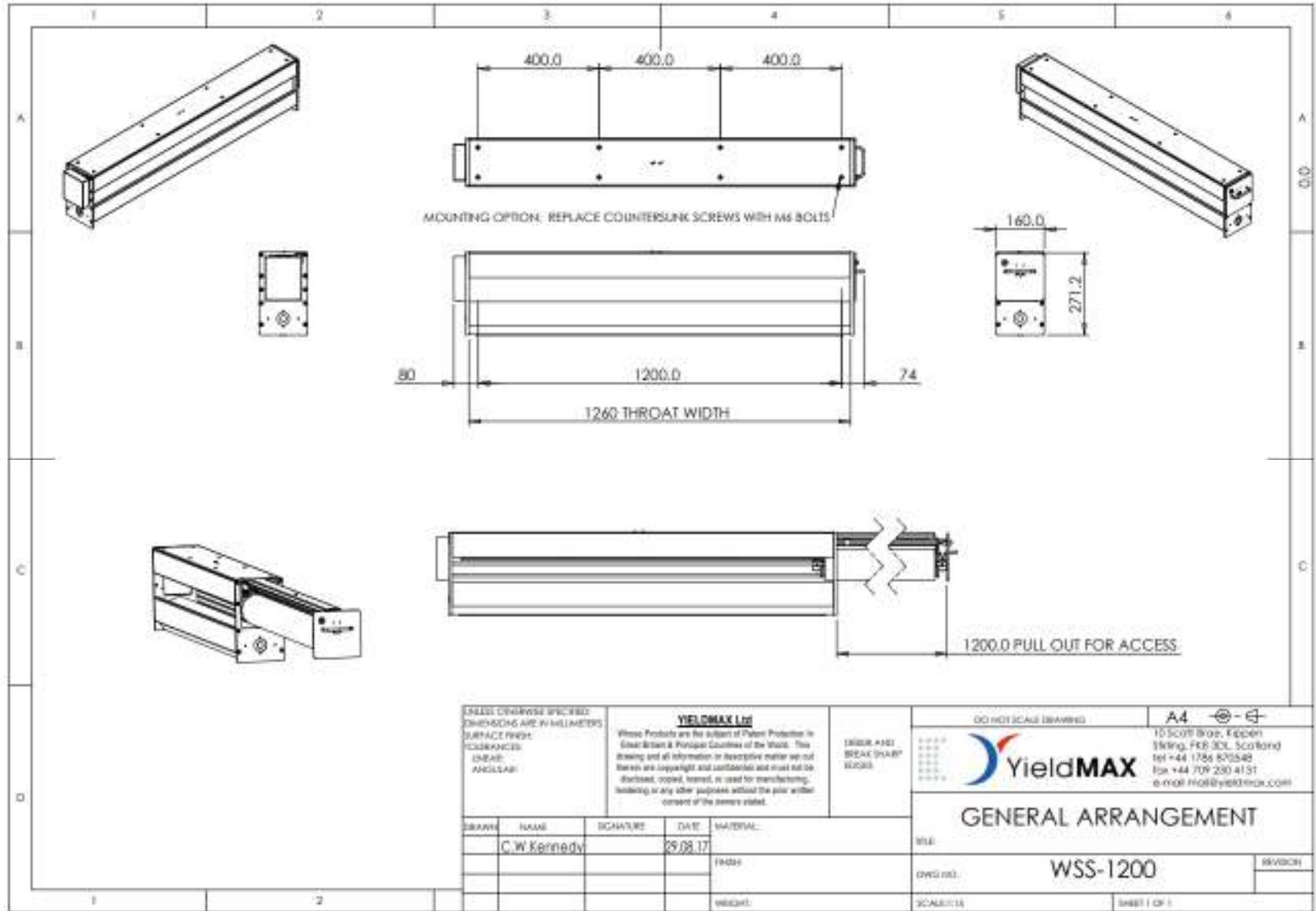
GENERAL ARRANGEMENT

REV:

DWG NO: WSS

SCALE: 1:1

SHEET 1 OF 1



UNLESS OTHERWISE SPECIFIED:
DIMENSIONS ARE IN MILLIMETERS
SURFACE FINISH:
CLEARANCE:
FINISH:
ANGLE:AR:

YIELDMAX Ltd

These Products are the subject of Patent Protection in Great Britain & Foreign Countries of the World. This drawing and all information in descriptive matter set out herein are copyright and confidential and must not be disclosed, copied, loaned, or used for manufacturing, building or any other purpose without the prior written consent of the company stated.

SHOWN AND
BREAK (HARD)
SCREWS

DO NOT SCALE DRAWING

A4

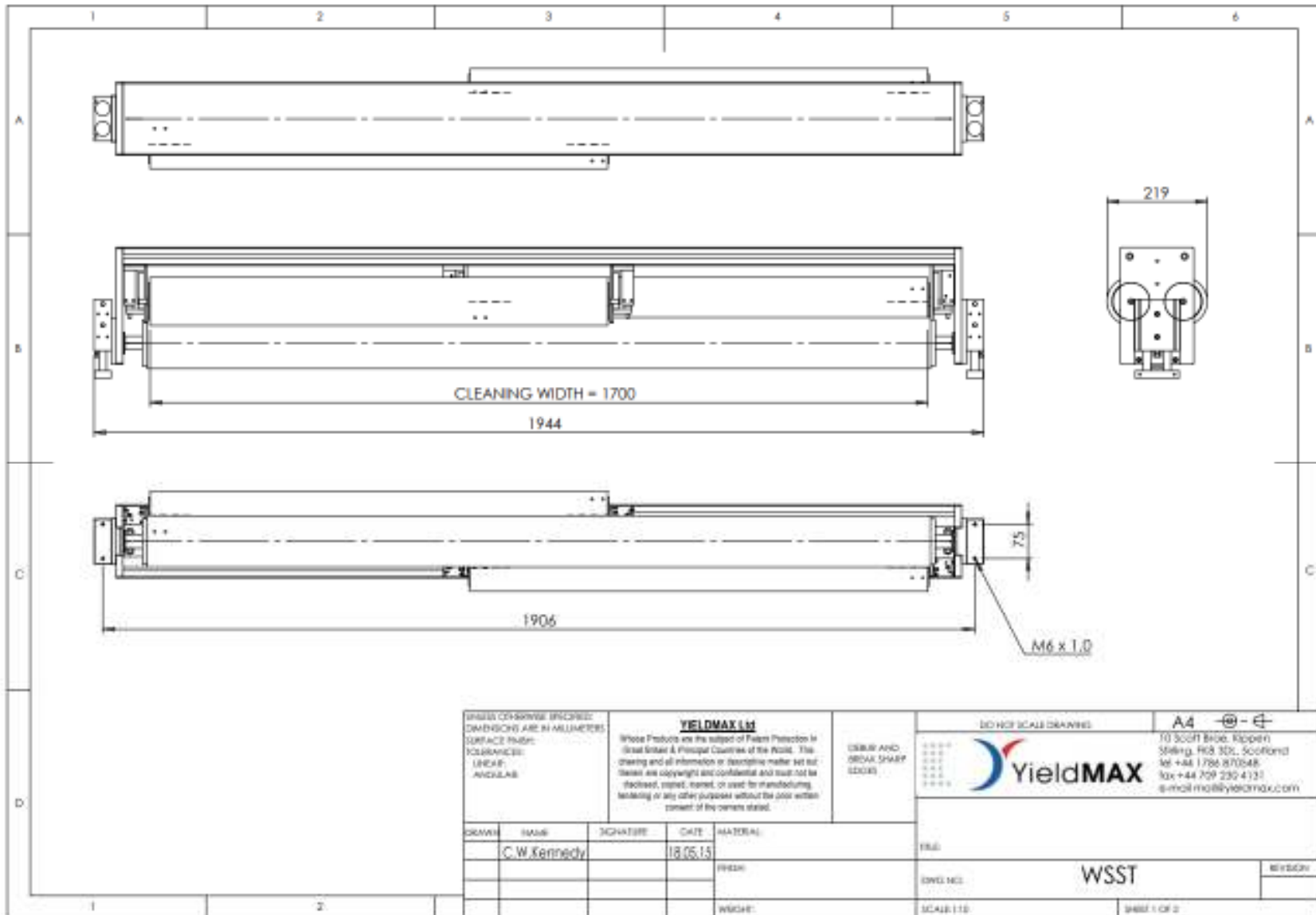


10 SCOTT ROAD, KEEPCOFT
BIRKING, FCB B37 3DL, SCOTLAND
TEL +44 1756 825548
FAX +44 1709 230 4131
E-MAIL: info@yieldmax.com

GENERAL ARRANGEMENT

DRAWN	NAME	SIGNATURE	DATE	MATERIAL
	C. W. Kennedy		29.08.17	
				FINISH
				WEIGHT

QWG NO.	WSS-1200	REVISION
SCALE: 1:1	SHEET 1 OF 1	



UNLESS OTHERWISE SPECIFIED:
DIMENSIONS ARE IN MILLIMETERS
SURFACE FINISH:
CLEARANCE:
LINEAR:
ANGULAR:

YIELDMAX Ltd

Where Products are the subject of Patent Protection in Great Britain & Principal Countries of the World. This drawing and all information or descriptive matter set out herein are copyright and confidential and must not be disclosed, copied, re-used, or used for manufacturing, marketing or any other purposes without the prior written consent of the persons stated.

EDGES AND
CORNERS
SHARP
EDGES

DO NOT SCALE DRAWING

A4



70 SCOT Bldg, Rippen
Skelton, RD 32L, Scotland
Tel: +44 1796 870548
fax: +44 709 230 4133
e-mail: info@yieldmax.com

DRAWN	DATE	SIGNATURE	DATE	MATERIAL
C.W.Kennedy			18.05.13	
				FRESH
				WCSH:

FILE:		REVISION:	
ENGR. NO:	WSST		
SCALE: 1:1		SHEET 1 OF 2	